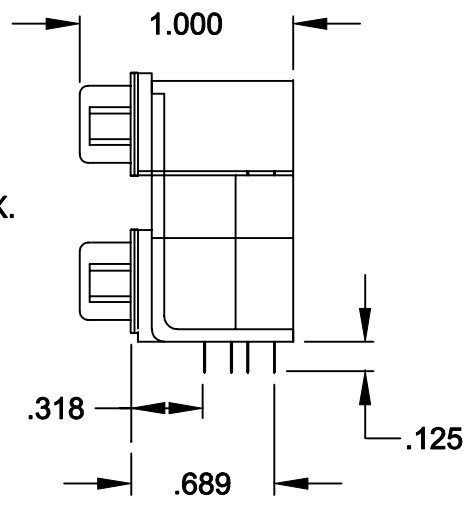
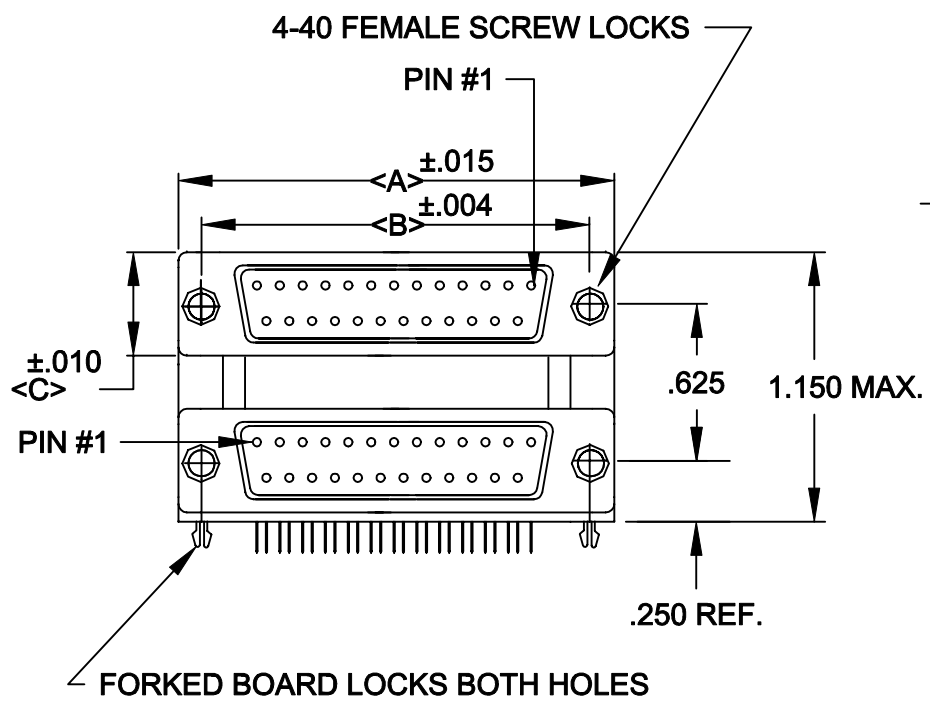


DESCRIPTION: .625 CENTER DUAL PORT D-SUB FEMALE/MALE



	A	B	C
9	1.204 30.6	.984 25.0	.494 12.55
15	1.535 39.0	1.312 33.3	.494 12.55
25	2.078 52.8	1.850 47.0	.494 12.55
37	2.724 69.2	2.500 63.5	.494 12.55

189-XXX-312-571

SERIES \_\_\_\_\_

POSITIONS \_\_\_\_\_

009 \_\_\_\_\_

015 \_\_\_\_\_

025 \_\_\_\_\_

037 \_\_\_\_\_

GENDER \_\_\_\_\_

61 = MALE OVER MALE

41 = MALE OVER FEMALE

51 = FEMALE OVER FEMALE

31 = FEMALE OVER MALE

SHELL PLATING \_\_\_\_\_

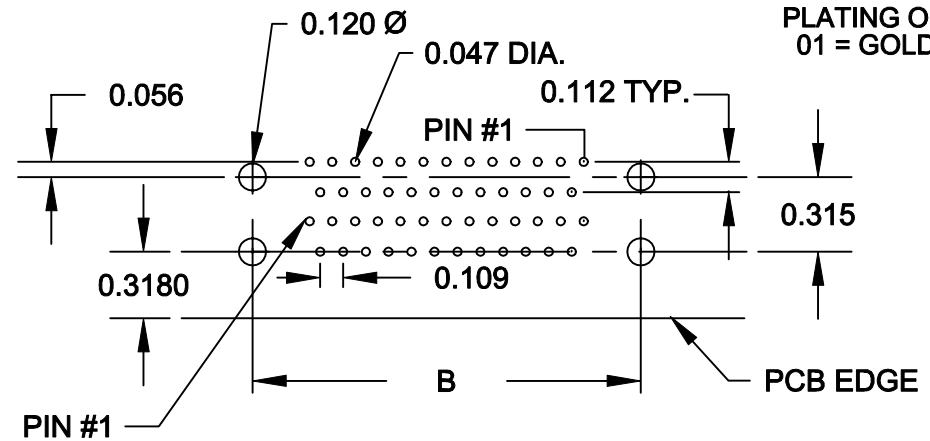
2 = TIN

HARDWARE OPTIONS \_\_\_\_\_

57 = 4-40 STANDOFFS/FORK BOARD LOCKS

PLATING OPTIONS \_\_\_\_\_

01 = GOLD FLASH




SPECIFICATIONS:

MATERIALS:

SHELL: STEEL, TIN PLATED  
 INSULATOR: UL 94V-0 RATED BLACK  
 GLASS-FILLED POLYESTER

ELECTRICALS:

CURRENT RATING: 5 AMPS  
 DIELECTRIC STRENGTH: 1000V AC RMS  
 INSULATOR RESISTANCE: 1000 MOHMS MIN  
 TEMPERATURE: -55°C TO +105°C

	THESE DRAWINGS AND SPECIFICATIONS ARE THE PROPERTY OF NorComp AND SHALL NOT BE REPRODUCED, COPIED OR USED AS THE BASIS FOR THE MANUFACTURE OF SALE OF APPARATUS WITHOUT WRITTEN PERMISSION.		DRAWN: <b>PAM JENKINS</b>	DATE: <b>9-24-98</b>
			CHECKED:	DATE:
<b>NorComp</b>		SCALE: 1:1	SHEET 1 OF 1	REV 5
		DWG NO. <b>189-XXX-312-571</b>		