



Micro Commercial Components

Micro Commercial Components  
 20736 Marilla Street Chatsworth  
 CA 91311  
 Phone: (818) 701-4933  
 Fax: (818) 701-4939

# DTA143EKA

## Features

- Built-in bias resistors enable the configuration of an inverter circuit without connecting external input resistors
- The bias resistors consist of thin-film resistors with complete isolation to allow negative biasing of the input. They also have the advantage of almost completely eliminating parasitic effects.
- Only the on/off conditions need to be set for operation, making device design easy

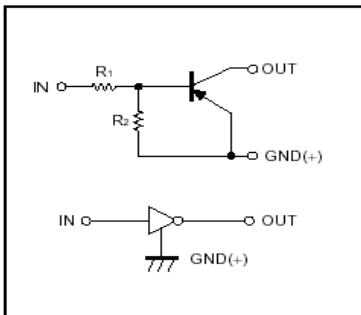
### Absolute maximum ratings @ 25°C

| Symbol                | Parameter            | Min | Typ  | Max | Unit |
|-----------------------|----------------------|-----|------|-----|------|
| $V_{CC}$              | Supply voltage       | --- | -50  | --- | V    |
| $V_{IN}$              | Input voltage        | -30 | ---  | 10  | V    |
| $I_O$<br>$I_{C(MAX)}$ | Output current       | --- | -100 | --- | mA   |
| $P_d$                 | Power dissipation    | --- | 200  | --- | mW   |
| $T_j$                 | Junction temperature | --- | 150  | --- | °C   |
| $T_{stg}$             | Storage temperature  | -55 | ---  | 150 | °C   |

### Electrical Characteristics @ 25°C

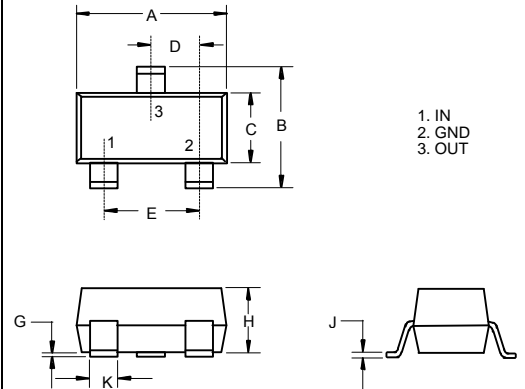
| Symbol       | Parameter   | Min  | Typ | Max  | Unit       |
|--------------|---|------|-----|------|------------|
| $V_{I(off)}$ | Input voltage ( $V_{CC}=-5V, I_O=-100 \mu A$ )            | ---  | --- | -0.5 | V          |
| $V_{I(on)}$  | Input voltage ( $V_O=-0.3V, I_O=-20mA$ )                  | -3.0 | --- | ---  | V          |
| $V_{O(on)}$  | Output voltage ( $I_O/I_I=-10mA/-0.5mA$ )                 | ---  | --- | -0.3 | V          |
| $I_I$        | Input current ( $V_I=-5V$ )                               | ---  | --- | -1.8 | mA         |
| $I_{O(off)}$ | Output current ( $V_{CC}=-50V, V_I=0$ )                   | ---  | --- | -0.5 | $\mu A$    |
| $G_I$        | DC current gain ( $V_O=-5V, I_O=-10mA$ )                  | 30   | --- | ---  |            |
| $R_1$        | Input resistance  | 3.29 | 4.7 | 6.11 | K $\Omega$ |
| $R_2/R_1$    | Resistance ratio  | 0.8  | 1.0 | 1.2  |            |
| $f_T$        | Transition frequency ( $V_{CE}=-10V, I_E=5mA, f=100MHz$ ) | ---  | 250 | ---  | MHz        |

### Equivalent circuit



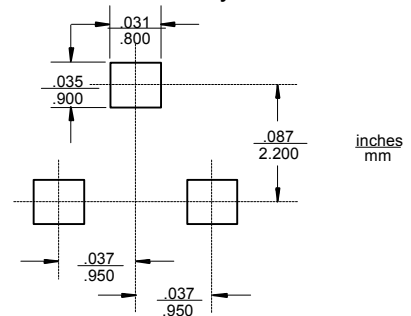
## PNP Digital Transistors

### SOT-23-3L



| DIM | INCHES |       | MM   |      | NOTE |
|-----|--------|-------|------|------|------|
|     | MIN    | MAX   | MIN  | MAX  |      |
| A   | .113   | .117  | 2.87 | 2.97 |      |
| B   | .108   | .112  | 2.75 | 2.85 |      |
| C   | .061   | .065  | 1.55 | 1.65 |      |
| D   | .036   | .038  | .925 | .975 |      |
| E   | .073   | .077  | 1.85 | 1.95 |      |
| G   | .0016  | .0039 | .04  | .100 |      |
| H   | .044   | .049  | 1.12 | 1.25 |      |
| J   | .006   | .007  | .14  | .17  |      |
| K   | .013   | .015  | .34  | .37  |      |

### Suggested Solder Pad Layout



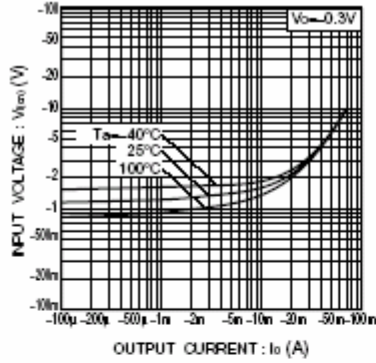


Fig.1 Input voltage vs. output current (ON characteristics)

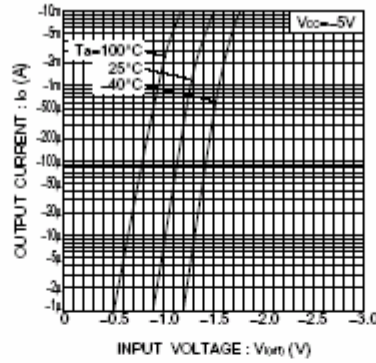


Fig.2 Output current vs. input voltage (OFF characteristics)

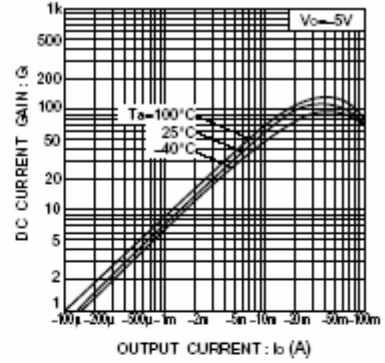


Fig.3 DC current gain vs. output current

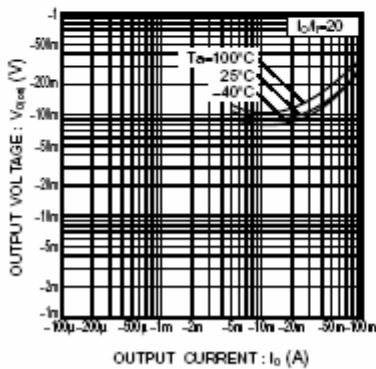


Fig.4 Output voltage vs. output current