

THIS DRAWING IS UNPUBLISHED. RELEASED FOR PUBLICATION  
 © COPYRIGHT BY TYCO ELECTRONICS CORPORATION. ALL RIGHTS RESERVED.

LOC	DIST	REVISIONS			
P	LTR	DESCRIPTION	DATE	DWN	APVD
AD	00	A	ECO 05 003709	27MAR06	BSV MS

SPECIFICATIONS:  
 MAKE-BEFORE-BREAK

MATERIALS:

- ACTUATOR - NYLON 66 UL94V-0, BLACK
- FRAME - TIN PLATED STEEL
- TERMINAL BOARD - PHENOLIC LAMINATE UL94HB, NATURAL
- TERMINAL (SILVER) - COPPER ALLOY- SILVER OVER NICKEL PLATE
- TERMINAL (GOLD) - COPPER ALLOY- TIN OVER NICKEL PLATE
- FIXED CONTACT (SILVER) - COPPER ALLOY- SILVER OVER NICKEL PLATE
- FIXED CONTACT (GOLD) - COPPER ALLOY-GOLD OVER NICKEL PLATE
- MIVING CONTACT (SILVER) - COPPER ALLOY- SILVER OVER NICKEL PLATE
- MIVING CONTACT (GOLD) - COPPER ALLOY-GOLD OVER NICKEL PLATE
- DETENT BALL - STAINLESS STEEL
- COIL SPRING - TEMPERED STEEL WIRE
- SEAL - EPOXY

ELECTRICAL:

- CONTACT RATING - .4VA@20VDC OR PEAK AC (GOLD)  
 300mA@125V AC (SILVER)
- INITIAL CONTACT RESISTANCE - 30milliohm max.
- FINAL CONTACT RESISTANCE - 100milliohm max> (AFTER TEST)
- INSULATION RESISTANCE - 1,000Megohms min."
- DIELECTRIC STRENGTH - 500V RMS@SEA LEVEL
- LIFE EXPECTANCY - 15,000 CYCLES MIN."

MECHANICAL:

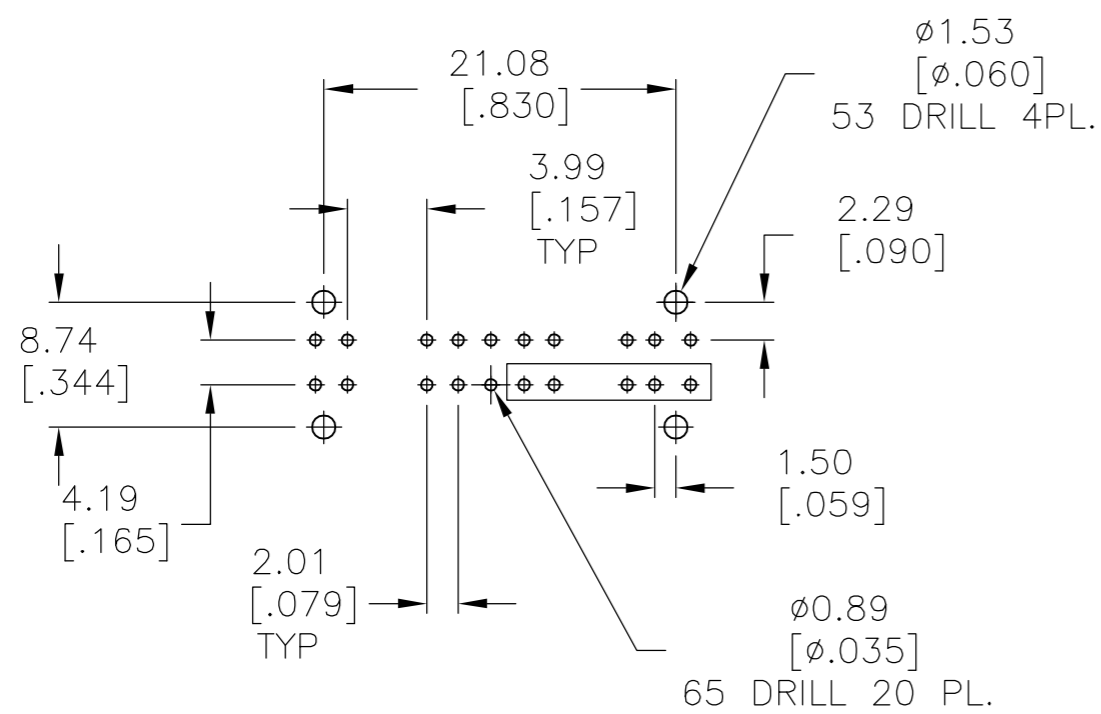
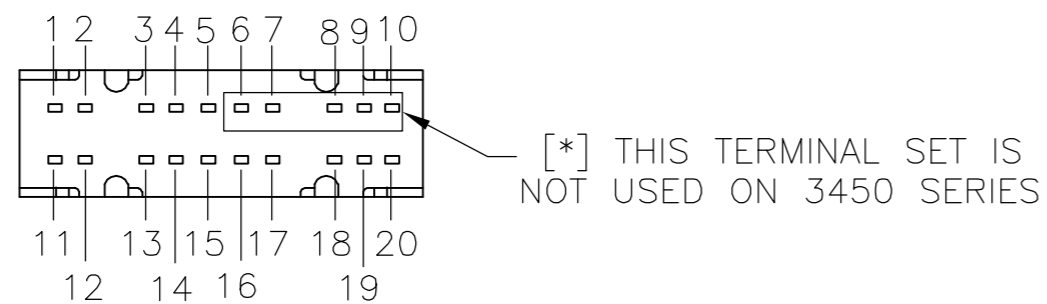
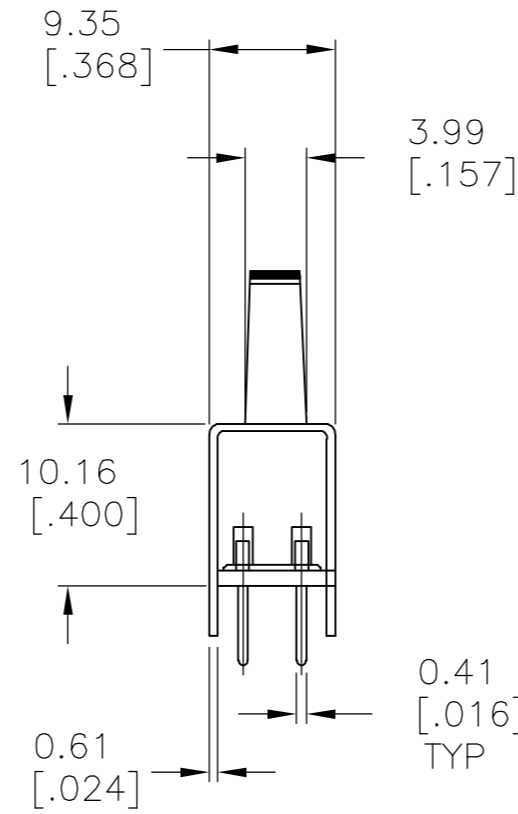
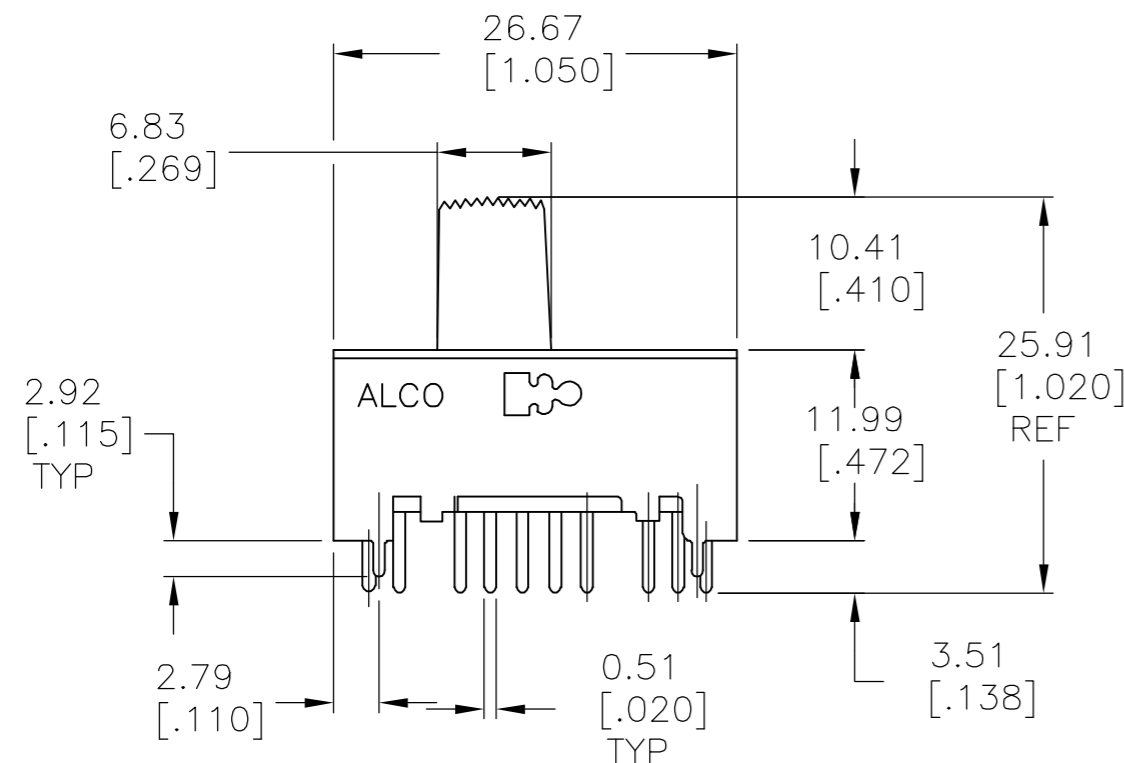
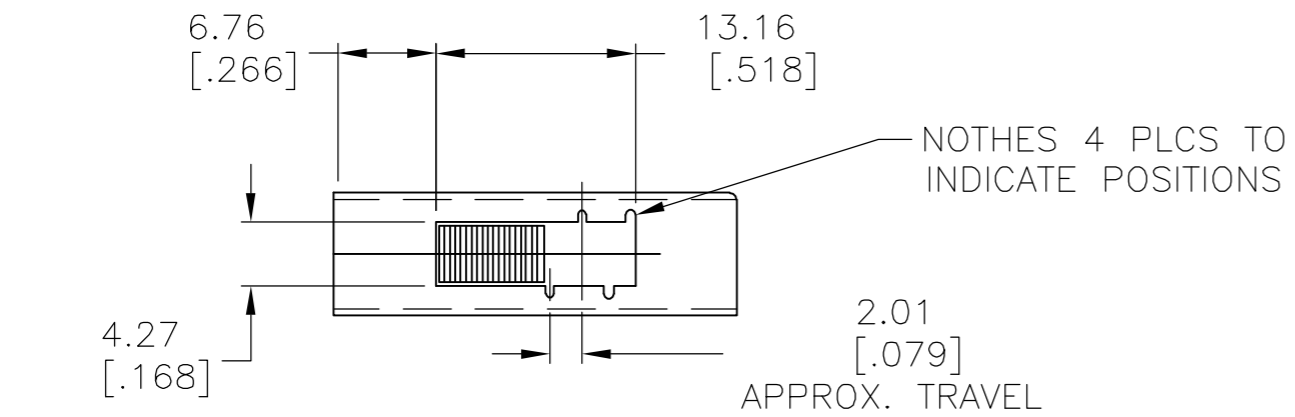
- ACTUATION FORCE - 600±300 GRAMS
- TRAVEL - 2.00±0.51[.079±.020]

ENVIRONMENTAL:

- OPERATING TEMPERATURE - -20 TO +85 DEGREES C
- STORAGE TEMPERATURE - -40 TO +100 DEGREES C
- RESISTANCE TO SOLDER HEAT PER 109-202, CONDITION B
- SOLDERABILITY PER EIA- 364-52, CLASS 2, CATEGORY 1, 95% MIN COVERAGE

NOTES:

- ALL MATERIALS AND FINISHES SHALL COMPLY WITH EU DIRECTIVE 2002 95/EC OF 27JAN2003 (ROHS).
- ANTI SOLDER WICK SEAL AT TERMINAL TO BOARD INTERFACE.



P.C. LAYOUT  
 VIEWED FROM TOP OF SWITCH

1,3 & 6,8 11,13 & 16,18	2,3 & 7,8 12,13 & 17,18	3,4 & 8,9 13,14 & 18,19	3,5 & 8,10 13,15 & 18,20	4P4T	GOLD OVER NICKEL	MSSA4450G04	1825204-4
1,3 & 6,8 11,13 & 16,18	2,3 & 7,8 12,13 & 17,18	3,4 & 8,9 13,14 & 18,19	3,5 & 8,10 13,15 & 18,20	4P4T	SILVER	MSSA445004	1825204-3
1,3 11,13 & 16,18	2,3 12,13 & 17,18	3,4 13,14 & 18,19	3,5 8,10 & 13,15	3P4T	GOLD OVER NICKEL	MSSA3450G04	*1825204-2
1,3 11,13 & 16,18	2,3 12,13 & 17,18	3,4 13,14 & 18,19	3,5 8,10 & 13,15	3P4T	SILVER	MSSA345004	*1825204-1
				TYPE	CONTACT PLATING	ALCO P/N	TYCO P/N

ACTUATOR POSITION

THIS DRAWING IS A CONTROLLED DOCUMENT.		DWN	-	Tyco Electronics Corporation Harrisburg, Pa 17105-3608	
DIMENSIONS: mm [INCHES]		CHK	-	NAME	
TOLERANCES UNLESS OTHERWISE SPECIFIED:		APVD	-	SLIDE SWITCH 4 POSITION PC	
0 PLC ± -		PRODUCT SPEC	-	SIZE	CAGE CODE
1 PLC ± -		APPLICATION SPEC	-	A2	00779
2 PLC ± 0.25[.010]		WEIGHT	-	DRAWING NO	
3 PLC ± -		CUSTOMER DRAWING	-	C=1825204	
4 PLC ± -		SCALE	2:1	SHEET	1 OF 1
ANGLES ± -		REV	A	RESTRICTED TO	
FINISH					
SEE SPECIFICATIONS					