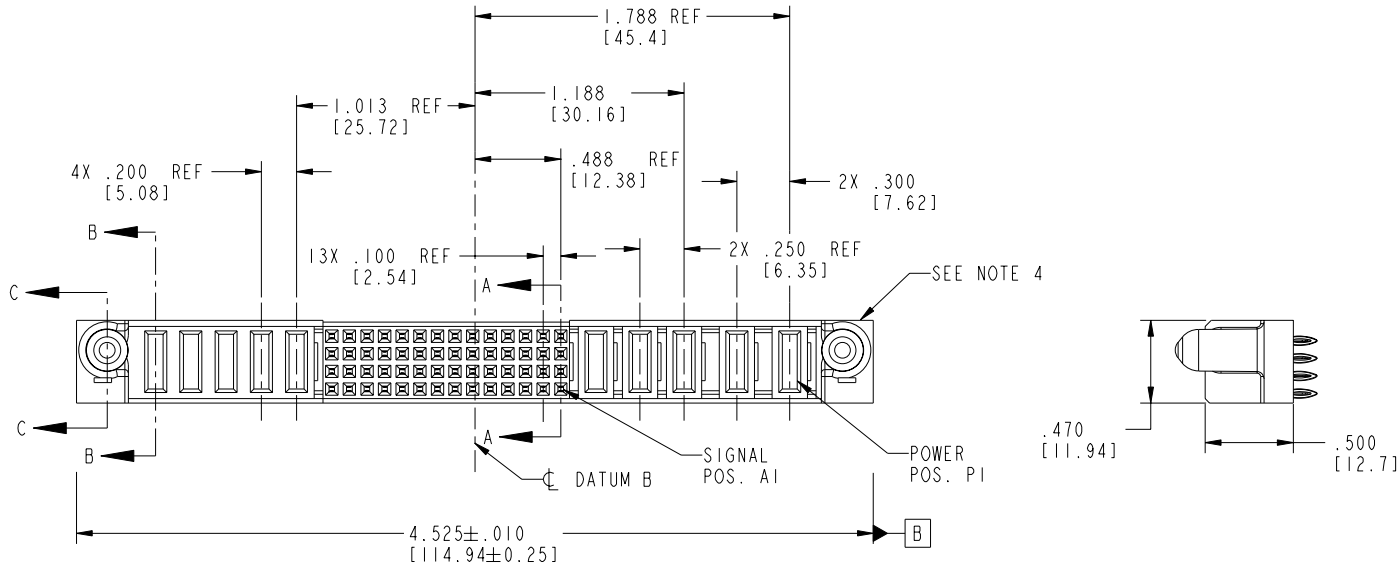


Tous droits strictement réservés. Reproduction ou communication à des tiers interdite sous quelque forme que ce soit sans autorisation écrite du propriétaire. Propriété de c FCI. Droits de reproduction FCI.

All rights strictly reserved. Reproduction or issue to third parties in any form whatever is not permitted without written authority from the proprietor. Property of FCI. Copyright FCI.

PRODUCT NO.	ROWS	POWER					SIGNAL														POWER							
		E2	P10	P9	P8	P7	P6	14	13	12	11	10	9	8	7	6	5	4	3	2	1	P5	P4	P3	P2	P1	E1	
51940-033-- NOTE:3	D C B A		PF	PF	PF	PF	PF	F	F	F	F	F	F	F	F	F	F	F	F	F	F	F	F	F	F	F	F	
			PF	PF	PF	PF	PF	F	F	F	F	F	F	F	F	F	F	F	F	F	F	F	F	F	F	F	F	F
			PF	PF	PF	PF	PF	F	F	F	F	F	F	F	F	F	F	F	F	F	F	F	F	F	F	F	F	F
			PF	PF	PF	PF	PF	F	F	F	F	F	F	F	F	F	F	F	F	F	F	F	F	F	F	F	F	F



CODE	DIM "M" MATING LENGTH	CONTACT TYPE
F	N/A [N/A]	SIGNAL
PC	.042 [1.07]	POWER
PF	.092 [2.34]	POWER

mat'l code				SEE NOTE 2		tolerances unless otherwise specified		CUSTOMER		 www.fciconnect.com	
ltr	ecn no.	dr	date	linear	.XX±.01/0.X±0.3	projection		COPY		title 3ACP + 2P + 56S + 5P VERTICAL PRESS-FIT RECEPT	
A	V03-0154	TAB	02/05/03	linear	.XXX±.005/0.XX±0.13			INCH/MM		product family PwrBlade code 213	
B	DG05-0418	CS	11/16/05	angles	.XXX±.0020/0.XX±0.051	scale 1:1		size		dwg no 51940-033 sheet 1 of 4	
C	DG05-0507	CS	11/28/05	dr	0°±2°	appd		M. MOSTOLLER 02/05/03		sheet 1 of 4	
				enrg	T. BRUNGARD 02/05/03	sheet index		C C C C		1 2 3 4	
				chr	M. MOSTOLLER 02/05/03	cage code		22526		4	

Pro/E

PDM: Rev:C

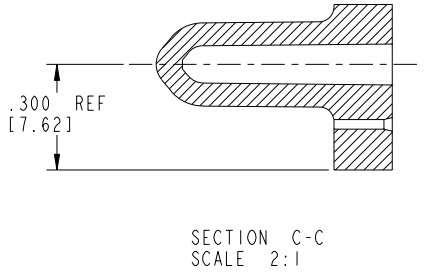
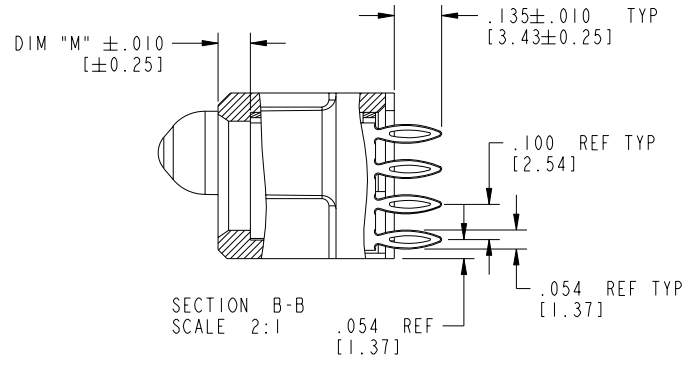
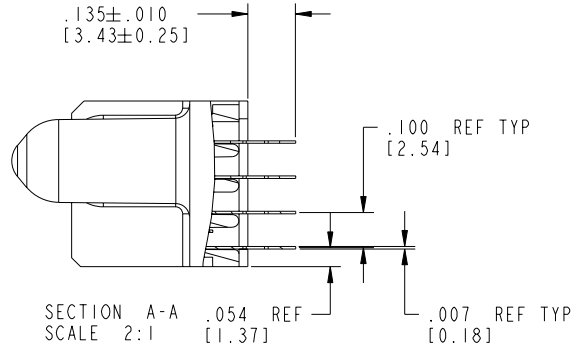
STATUS:Released

Printed: Dec 20, 2010

Tous droits strictement réservés. Reproduction ou communication a des tiers interdite sous quelque forme que ce soit sans autorisation écrite du propriétaire. Propriété de c FCI. Droits de reproduction FCI.

All rights strictly reserved. Reproduction or issue to third parties in any form whatever is not permitted without written authority from the proprietor. Property of FCI. Copyright FCI.

PRODUCT NUMBER
51940-033__
NOTE: 3



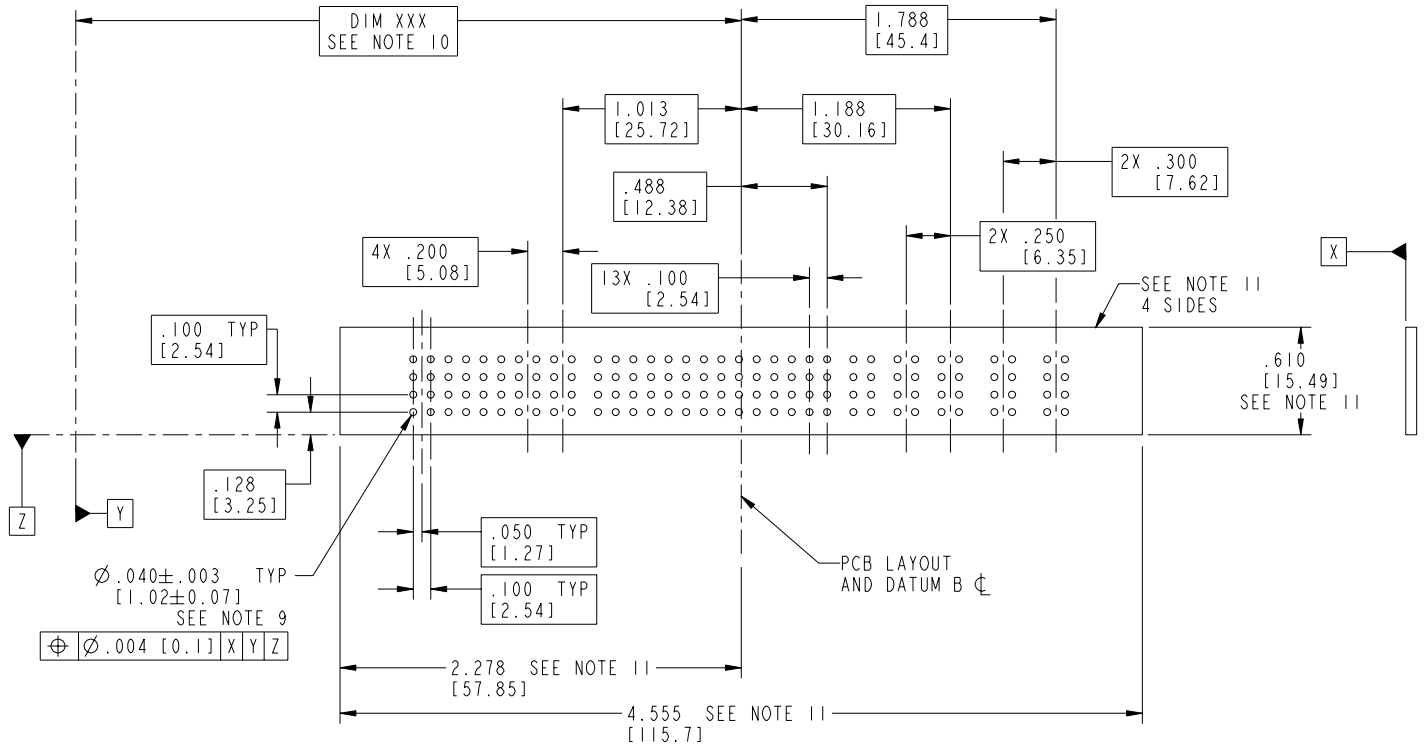
mat'l code		SEE NOTE 2		tolerances unless otherwise specified		CUSTOMER		FCI		www.fciconnect.com	
ltr	ecn no.	dr	date	linear	.XX ± .01 / 0.XX ± 0.3	COPY		projection		title 3ACP + 2P + 56S + 5P	
C				angles	.XXX ± .005 / 0.XX ± 0.13	INCH/MM		product family		code	
				dr	.XXX ± .0020 / 0.XX ± 0.051	1:1		PwrBlade		213	
				enr	0 ± 2°			size		sheet	
				chr	0 ± 2°			A		2 of 4	
				appd	0 ± 2°			51940-033			
sheet index	revision sheet										

cage code 22526

Tous droits strictement réservés. Reproduction ou communication à des tiers interdite sous quelque forme que ce soit sans autorisation écrite du propriétaire. Propriété de c FCI. Droits de reproduction FCI.

All rights strictly reserved. Reproduction or issue to third parties in any form whatever is not permitted without written authority from the proprietor. Property of FCI. Copyright FCI.

PRODUCT NUMBER
51940-033__
NOTE: 3



mat'l code		SEE NOTE 2		tolerances unless otherwise specified		CUSTOMER		 www.fciconnect.com	
ltr	ecn no.	dr	date	linear	.XX±.01/0.X±0.3	COPY		projection	title 3ACP + 2P + 56S + 5P
C					.XXX±.005/0.XX±0.13				VERTICAL PRESS-FIT RECEPT
				angles	.XXXX±.0020/0.XXX±0.051				product family PwrBlade
				dr	0°±2°	INCH/MM			code 213
				enrg	T. BRUNGARD 02/05/03	scale 1:1		size	sheet 3 of 4
				chr	M. MOSTOLLER 02/05/03			A	
				appd	M. MOSTOLLER 02/05/03			51940-033	
sheet index	revision sheet								

cage code 22526 4

Pro/E

PDM: Rev:C

STATUS: Released

Printed: Dec 20, 2010

Tous droits strictement réservés. Reproduction ou communication à des tiers interdite sous quelque forme que ce soit sans autorisation écrite du propriétaire. Propriété de c FCI. Droits de reproduction FCI.

A
FCI

All rights strictly reserved. Reproduction or issue to third parties in any form whatever is not permitted without written authority from the proprietor. Property of FCI. Copyright FCI.

B

1 | 2

3 |

4

PRODUCT NUMBER
51940-033_
NOTE: 3

NOTES:

1. DIMENSIONS AND TOLERANCES ARE IN ACCORDANCE WITH ASME Y14.5M, 1994 UNLESS OTHERWISE SPECIFIED.

CONNECTOR NOTES:

② HOUSING MATERIAL: UL 94 V-0 GLASS FILLED HIGH-TEMP THERMOPLASTIC
POWER CONTACT MATERIAL: COPPER ALLOY
SIGNAL PIN MATERIAL: COPPER ALLOY

3. PLATING:

51940-033 Singal Pin: 30u"/0.76um Au OVER 50u"/1.27um Ni ON THE CONTACT AREA,
AND 100u"/2.54um SnPb PLATING OVER 50u"/1.27um Ni ON THE TERMINATION SECTION.
Power Pin: 30u"/0.76um Au OVER 50u"/1.27um Ni ON THE CONTACT AREA,
AND 100u"/2.54um SnPb PLATING OVER 50u"/1.27um Ni ON THE TERMINATION SECTION.

51940-033LF Singal Pin: 30u"/0.76um Au OVER 50u"/1.27um Ni ON THE CONTACT AREA,
AND 78u"/2.00um Sn PLATING OVER 50u"/1.27um Ni ON THE TERMINATION SECTION.
Power Pin: 30u"/0.76um Au OVER 50u"/1.27um Ni ON THE CONTACT AREA,
AND 78u"/2.00um Sn PLATING OVER 50u"/1.27um Ni ON THE TERMINATION SECTION.

PART NUMBER 51940-033LF MEETS EUROPEAN UNION DIRECTIVE AND OTHER COUNTRY REGULATIONS AS DESCRIBED IN GS-22-008.

THE HOUSING WILL WITHSTAND EXPOSURE TO 260° PEAK TEMPERATURE FOR 10 SECONDS IN A WAVE SOLDER APPLICATION WITH A CIRCUIT BOARD.

④ MANUFACTURER'S NAME, P/N, AND DATE CODE TO APPEAR ON THIS SURFACE.

5. PRODUCT SPECIFICATION GS-12-149.
APPLICATION SPECIFICATION BUS-20-067.

6. PACKAGED IN TRAYS.

PCB NOTES:

7. ALL HOLE DIAMETERS ARE FINISHED HOLE SIZE.

⑧ MOUNTING HOLES, WHERE APPLICABLE, ARE UNPLATED.

⑨ $\varnothing .0453 \pm .0010$ [1.151 \pm 0.025] DRILLED HOLES PLATED WITH .0003 [0.008] MIN SnPb OVER .001 [0.03] TO .003 [0.08] Cu PLATING TO ACHIEVE $\varnothing .040 \pm .003$ [1.02 \pm .07] HOLE.

⑩ "DIM XXX" TO BE DETERMINED BY THE CUSTOMER.

⑪ CONNECTOR KEEP-OUT ZONE.

mat'l code		SEE NOTE 2		tolerances unless otherwise specified		CUSTOMER		A FCI		www.fciconnect.com	
ltr	ecn no.	dr	date	linear	.XX±.01/0.X±0.3	COPY		projection	title 3ACP + 2P + 56S + 5P VERTICAL PRESS-FIT RECEP		
C				angles	.XXX±.005/0.XX±0.13	INCH/MM		product family	PwrBlade		code
				dr	.XXX±.0020/0.XXX±0.051	scale		size	dwg no		sheet
				enr	0°±2°	1:1		A	51940-033		4 of 4
				chr	T. BRUNGARD 02/05/03						
				appd	M. MOSTOLLER 02/05/03						
					M. MOSTOLLER 02/05/03						
sheet index	revision sheet										

cage code 22526 4

1 | 2

Pro/E

3 |

PDM: Rev:C

STATUS: Released

Printed: Dec 20, 2010