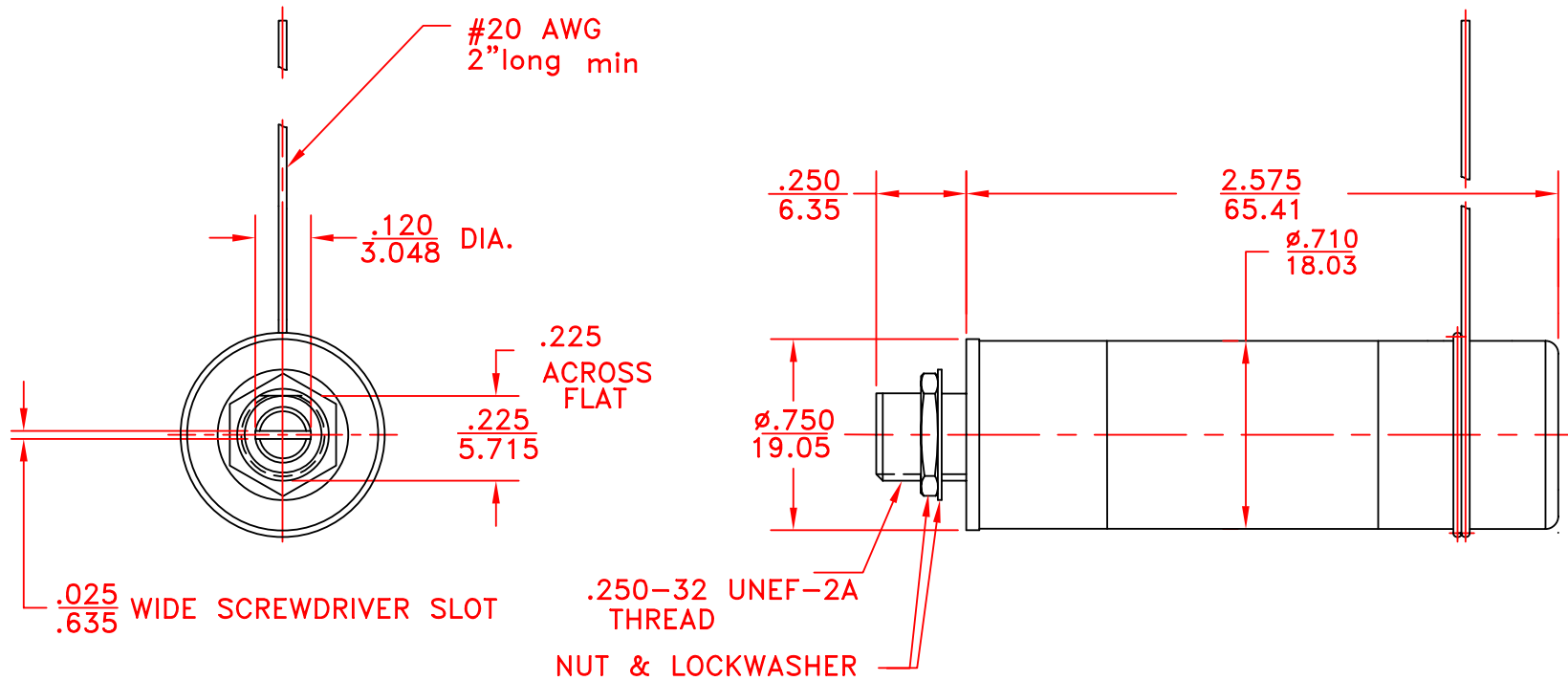


REV	DESCRIPTION	DATE	APP
00	NEW DWG	04/08/09	
01	ADDED NOTES 8 AND 9	03/27/12	D.D.



NOTES:

1. CAPACITANCE: $C_{max} \geq 70$ pF, $C_{min} \leq 6.5$ pF.
2. WORKING VOLTAGE: 8,000 VDC.
3. WITHSTANDING VOLTAGE: 16,000 VDC.
4. $Q \geq 600$ @ 25MHZ
5. TORQUE: 0.5 TO 5.0 oz-in.
6. CONSTRUCTION: 40 psi sealed, non magnetic.
7. DIMENSIONS IN INCHES/MM.
8. OPERATING TEMPERATURE: -55°C UP TO 125°C
9. ROTATIONAL LIFE: 10,000 TURNS

TOLERANCES: (EXCEPT AS NOTED)		SPRAGUE GOODMAN ELECTRONICS INC. 1700 SHAMES DRIVE WESTBURY, NY 11590	
DECIMAL: $\pm .002$ in $\pm .051$ mm	MATERIAL:	SCALE: NONE	DRAWN BY: R. LEVIN
FRACTIONAL: 1/64	TITLE: SGNMNC3708	APPROVED: D. DITLYA	
ANGULAR: 1°	DATE: 04/08/09	DRAWING NUMBER SGNMNC3708	USED FOR: REV. 01