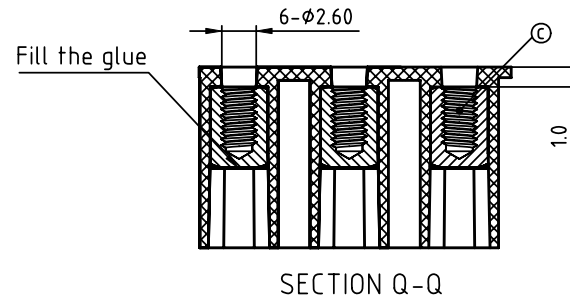
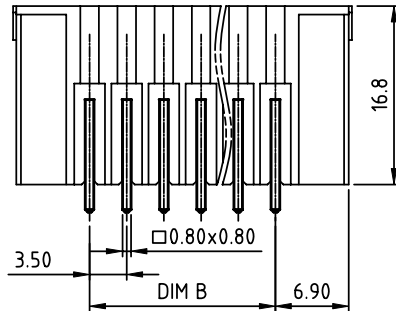
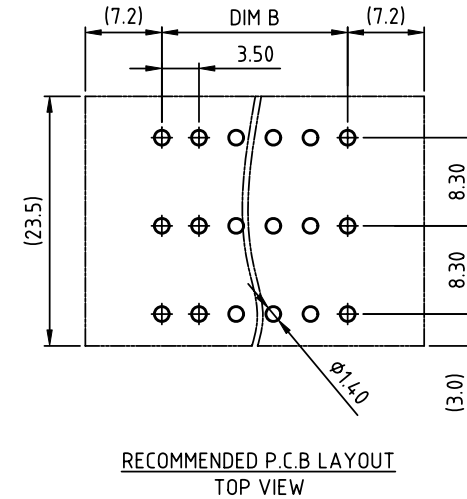
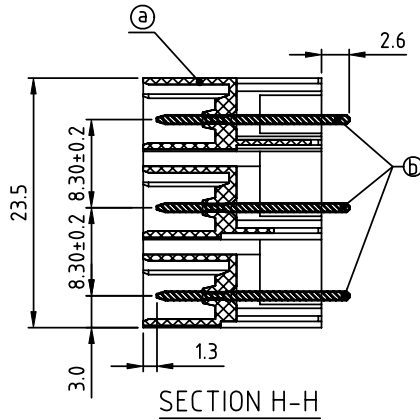
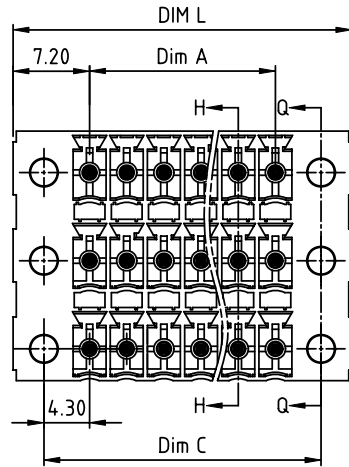


PRODUCT NUMBER	PITCH
K3xx12x0A0J0G	3.50 mm



Material:

- Item (a) Terminal(housing): Thermoplastic (UL94V-0)
- Item (b) Pin: copper Tin plated
- Item (c) Flange screw NUT: Brass M 2.5

Electrical:

- Voltage rating: cULus 160V
- Current rating: 5.5A
- Withstanding Voltage: 1.32 KV
- Operating temperature: -40°C to +115°C
- Soldering temperature: 260°C ±5°C/5 Sec
- Safety Approval:

DIMENSION

Dim L	(N/3-1) × 3.5+14.4
Dim A	(N/3-1) × 3.5
Dim B	(N/3-1) × 3.5
Dim C	(N/3-1) × 3.5+8.6
POLES	Tolerance
3×2P-3×6P	±0.15
3×7P-3×12P	±0.20
3×13P-3×18P	±0.25
3×19p-3×24p	±0.30

PART NO.: K3 xx 1 2 x 0 A0J0 G

Solid block	0	Color	Black (RAL9005)	RoHS compliant	(lead<4%)
No. of poles	2		Red (RAL3001/D)	In copper Alloy	
06 3x2poles	3		Orange(RAL2011/P)		
09 3x3poles	4		Yellow(RAL1018/A)		
...	...		5 Green(RAL6018/T)		
72 3x24poles	6		Blue (RAL5015/A)		
	8		Grey(RAL7035/D)		
	9		White(RAL1102)		
	C		Green(RAL6018/U)		

mat'l. code	surface ASME Y14.5	tolerance ASME Y14.5	projection	product family
ltr	ecn no	dr	date	TERMINAL BLOCK
				title
				TERMINAL BLOCK
				PLUGGABLE SOCKET, WITH FLANGE, VERTICAL
				scale
dr	ENGR	EVIN ZHONG	042514	FCI
enr	EVIN ZHONG	042514		dwg no
chr	HANKE FENG	042514		K3xx12x0A0J0G
appd	SHI JUN	042514		sheet 1 of 1
sheet index	revision	A		size
	sheet	1		A4
				type
				CUSTOMER Drawing