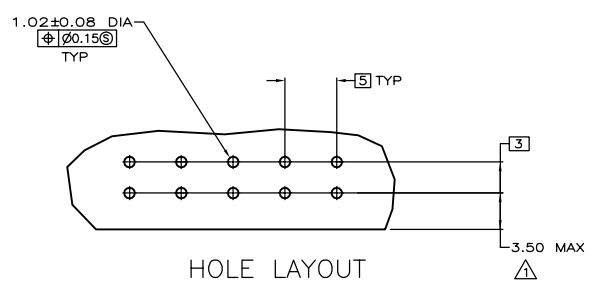
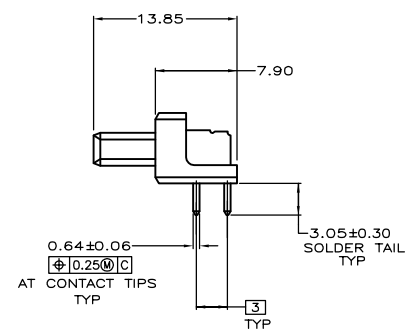
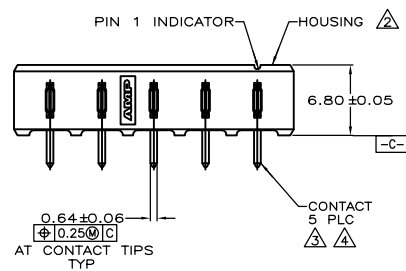
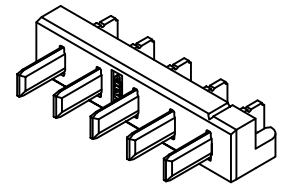
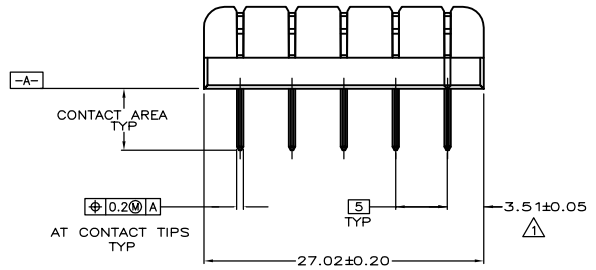


THIS DRAWING IS UNPUBLISHED. RELEASED FOR PUBLICATION  
 © COPYRIGHT BY TYCO ELECTRONICS CORPORATION. ALL RIGHTS RESERVED.

LOC	DIST	REVISIONS					
ES	00	P	LTR	DESCRIPTION	DATE	DWN	APVD
		0		RELEASED ECR-05-001438	30MAR05	J.Z	I.E



- ⚠ COORDINATE DIMENSION APPLIES FROM CENTER OF ACTUAL FEATURE.
- ⚠ HOUSING: LCP, BLACK
- ⚠ 2.54um MIN TIN ON SOLDER TAIL OVER
- ⚠ 1.90um MIN NICKEL ALL OVER.
- ⚠ CONTACTS: BRASS

5787441-1  
PART NO

THIS DRAWING IS A CONTROLLED DOCUMENT.		DWN S.KLINE 03-27-95	Tyco Electronics Corporation Shanghai PRC				
DIMENSIONS: mm		CHK S.KLINE 03-30-95					
TOLERANCES UNLESS OTHERWISE SPECIFIED:		APVD S.KLINE 03-30-95	NAME				
0 PLC ± - 1 PLC ± - 2 PLC ± 0.13 3 PLC ± - 4 PLC ± - ANGLES ± -		PRODUCT SPEC 108-1501	HEADER ASSEMBLY, RIGHT ANGLE, KEYLESS, 5mm $\phi$ , 5 POSN, STRAIGHT SOLDER TAILS, BATTERY INTERCONNECT				
MATERIAL		APPLICATION SPEC 114-24005	SIZE A3	CAGE CODE 00779	DRAWING NO C-5787441	RESTRICTED TO -	
FINISH		WEIGHT -	CUSTOMER DRAWING		SCALE 2:1	SHEET 1 OF 1	REV 0