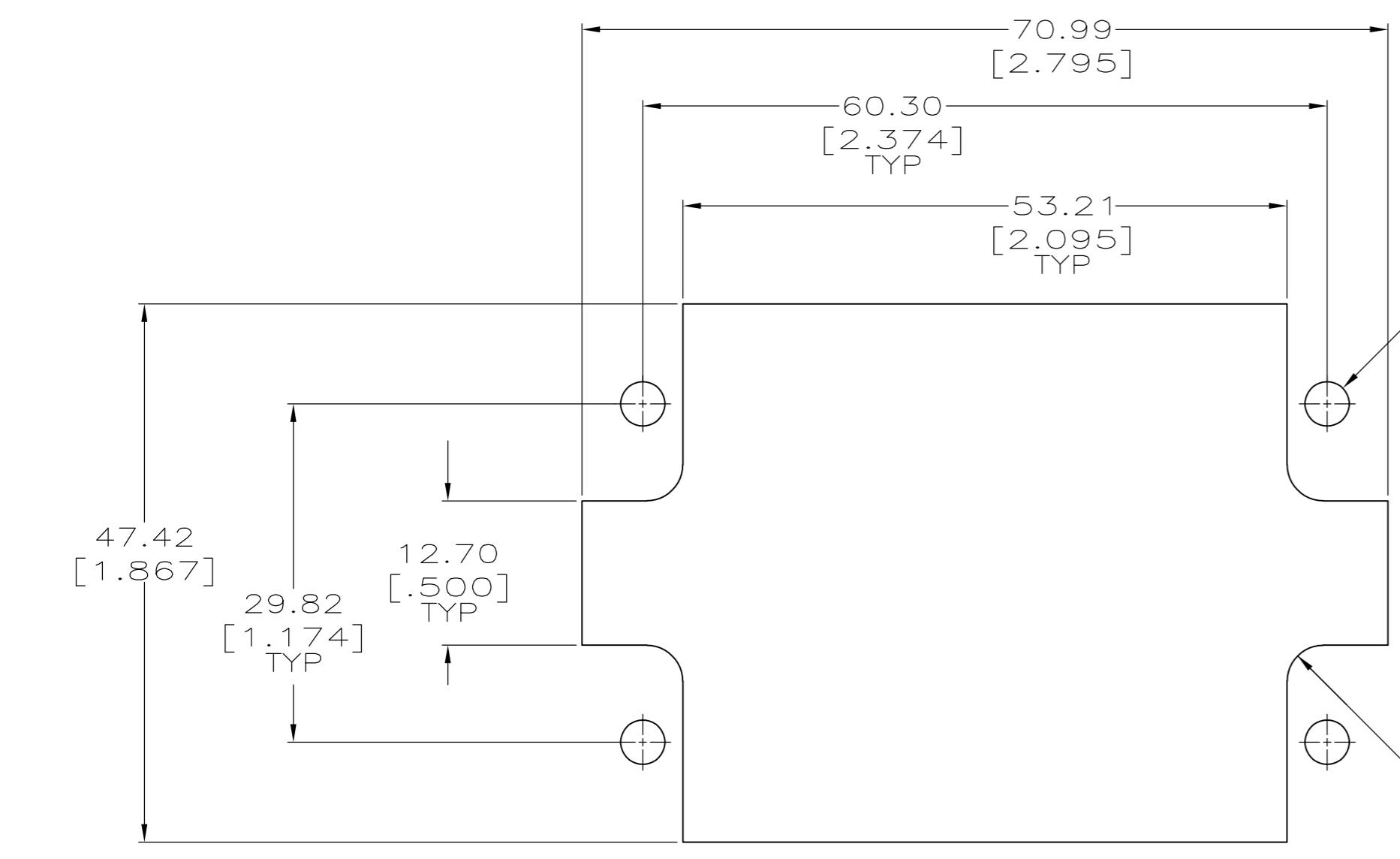
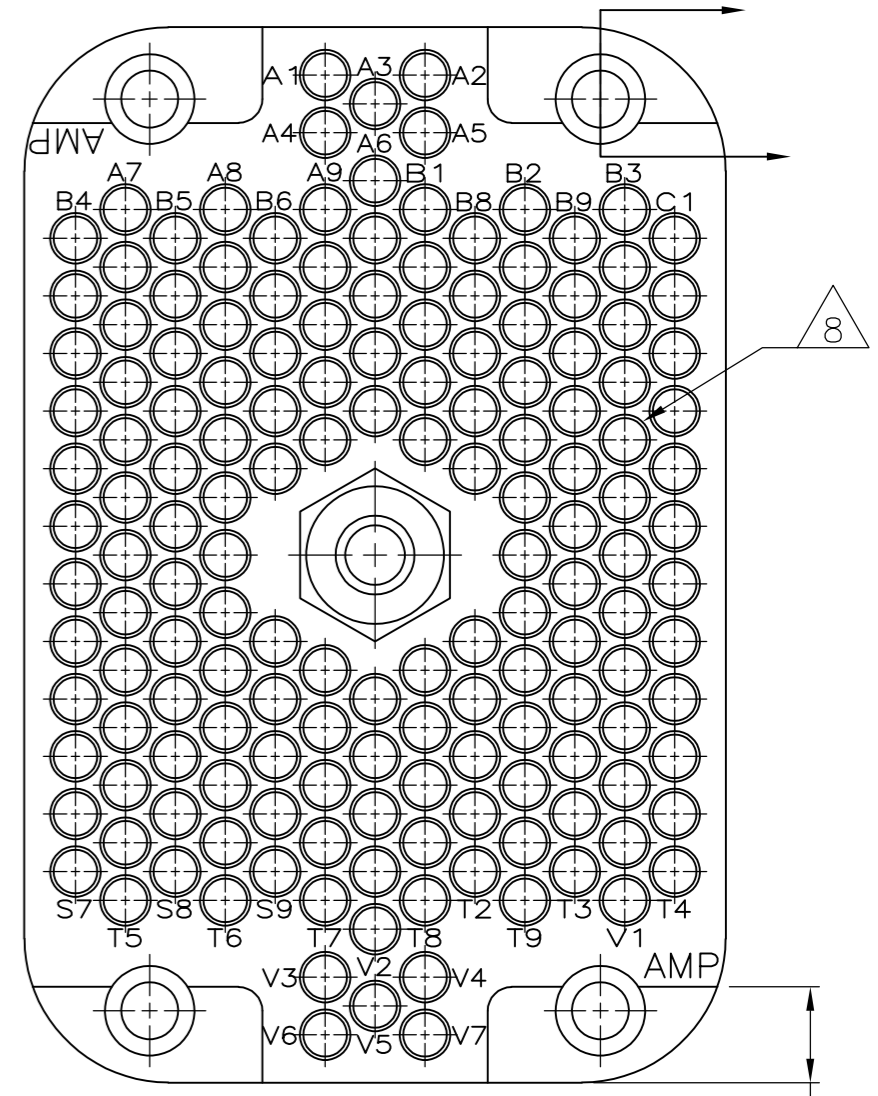
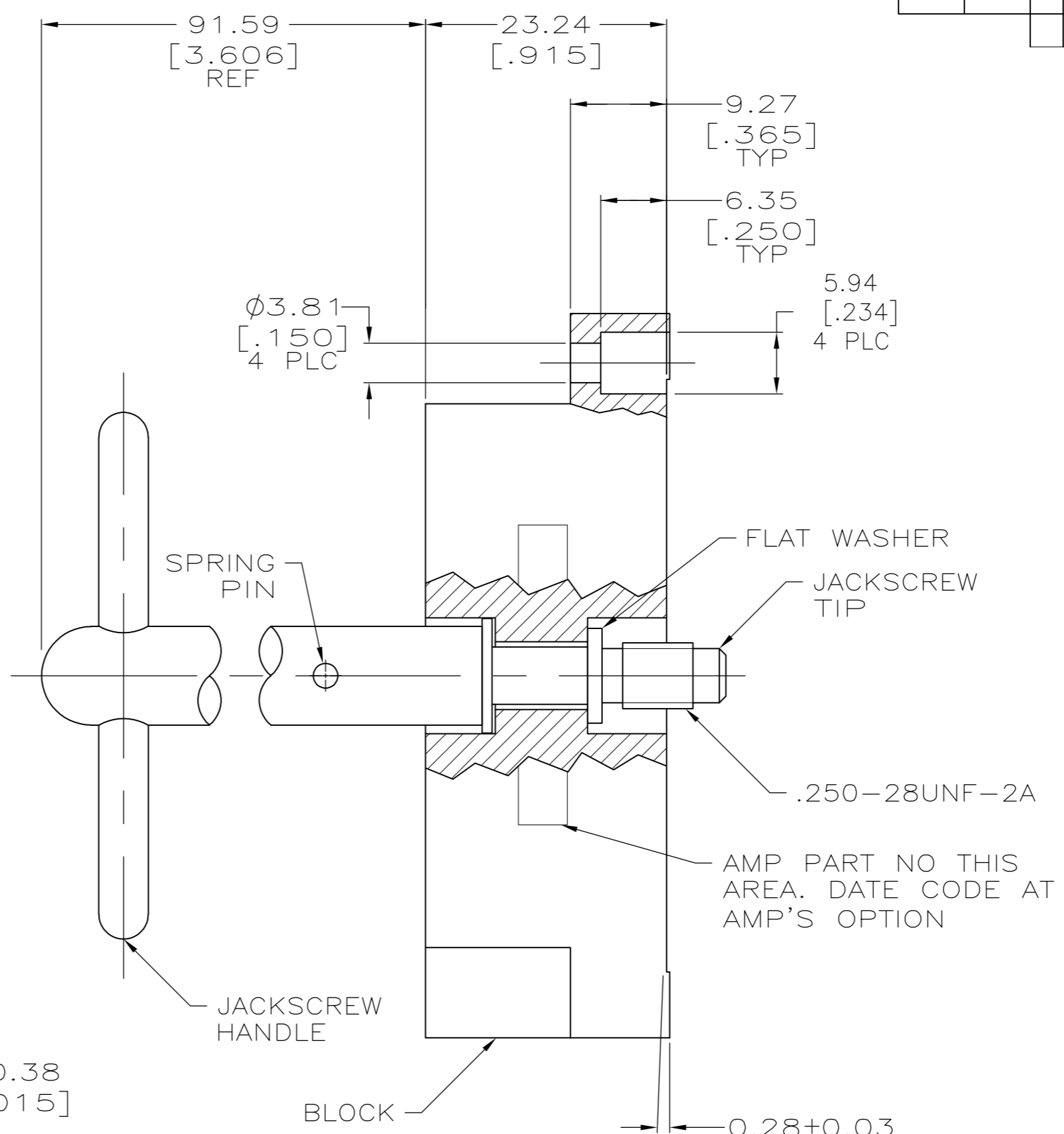
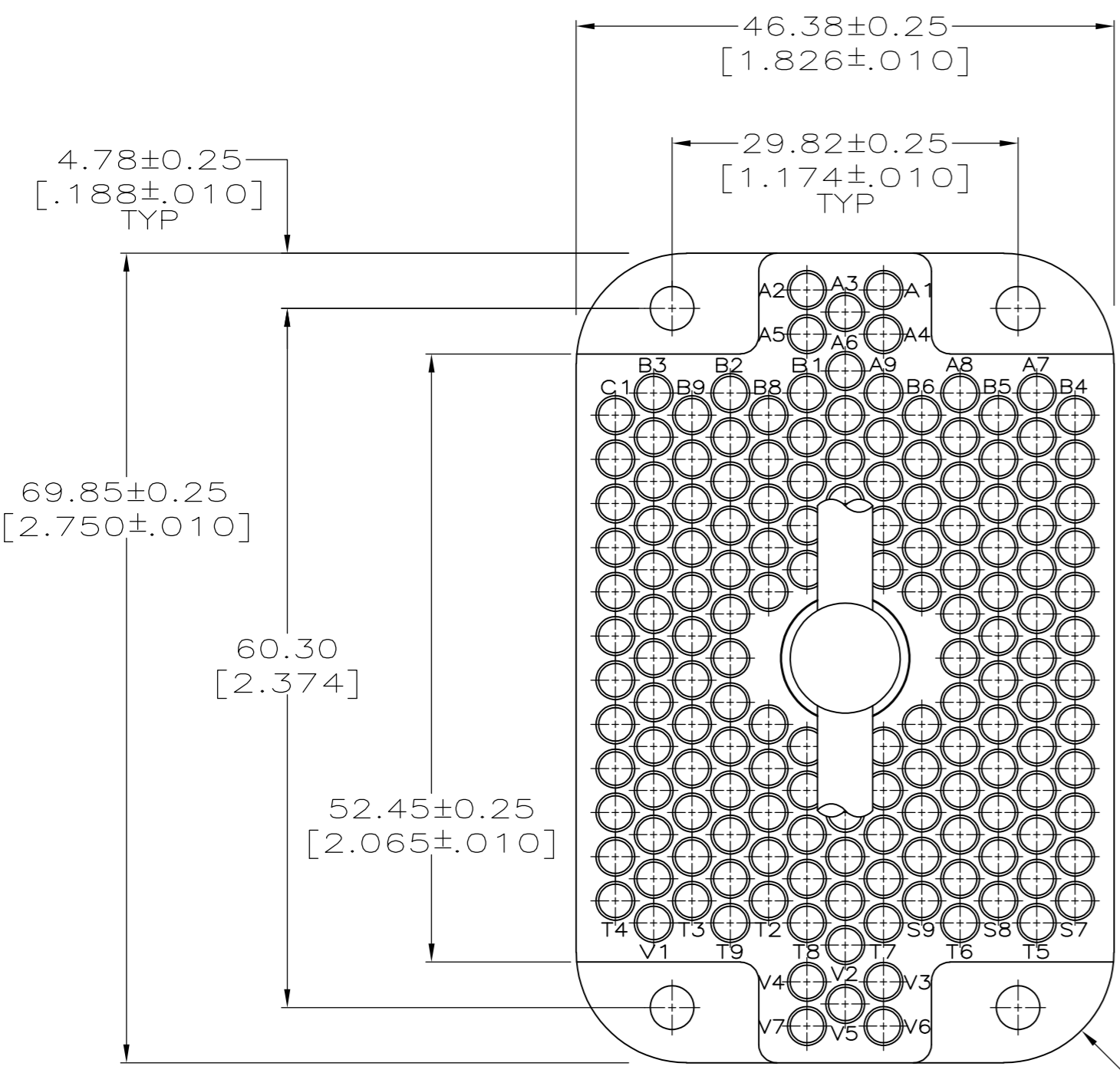


THIS DRAWING IS UNPUBLISHED. RELEASED FOR PUBLICATION  
 © COPYRIGHT - By - ALL RIGHTS RESERVED.

LOC	DIST	REVISIONS					
FT	0	P	LTR	DESCRIPTION	DATE	DWN	APVD
		D2		REVISED PER ECO-12-002703	13FEB12	KH	DR



- 1 BLOCK: SEE TABLE. JACKSCREW HANDLE, JACKSCREW TIP, & FLAT WASHER: STAINLESS STEEL. SPRING PIN: HIGH CARBON STEEL.
- 2 JACKSCREW HANDLE, JACKSCREW TIP, & FLAT WASHER: PASSIVATED.
- 3 MATES WITH BLOCK 202800.
- 4 DIALLYL PHTHALATE, PER MIL-M-14, TYPE SDG-F, BLUE.
- 5 PHENOLIC PER MIL-M-14, TYPE CFG, BLACK.
- 6 FINISH: ZINC PLATE WITH HEXAVALENT CHROMATE.
- 7 FINISH: ZINC PLATE WITH NON-HEXAVALENT CHROMATE.
- 8 CIRCUIT CAVITY NUMBERING SKIPS I, O, Q AND U SEQUENCES

SPRING PIN FINISH	BLOCK MATERIAL	PART NUMBER
7	5	202799-4
7	4	202799-3
6	5	202799-2
6	4	202799-1

THIS DRAWING IS A CONTROLLED DOCUMENT.		DWN B.CARBO 08 AUG 97	TE Connectivity	
DIMENSIONS: mm [INCHES]		CHK R.STONE 18 AUG 97		
TOLERANCES UNLESS OTHERWISE SPECIFIED:		APVD G.STEINHAUER 05 SEP 97	NAME	
0 PLC ± -	1 PLC ± -	PRODUCT SPEC	PLUG BLOCK ASSY, 160 POSITION, W/ CENTER FASTENER, M SERIES	
2 PLC ± 0.13 [.005]	3 PLC ± -	APPLICATION SPEC	SIZE A2	CAGE CODE 00779
4 PLC ± -	ANGLES ± -	WEIGHT -	DRAWING NO C=202799	RESTRICTED TO -
MATERIAL 1	FINISH 2	CUSTOMER DRAWING	SCALE 2:1	SHEET 1 OF 1
			REV D2	