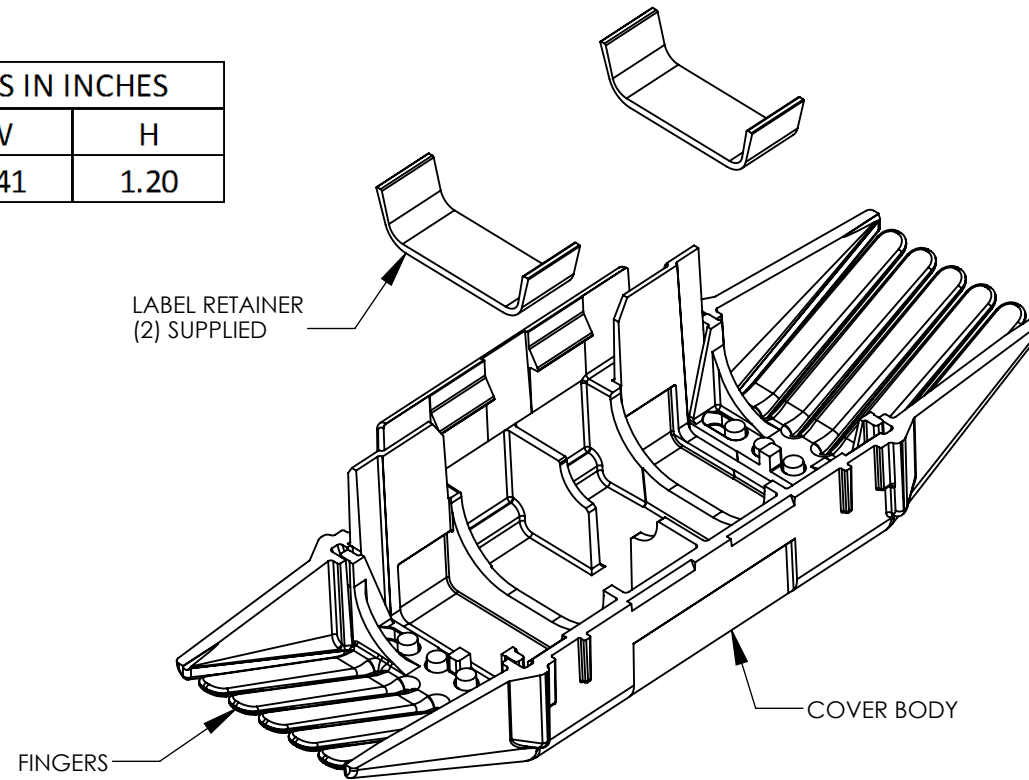


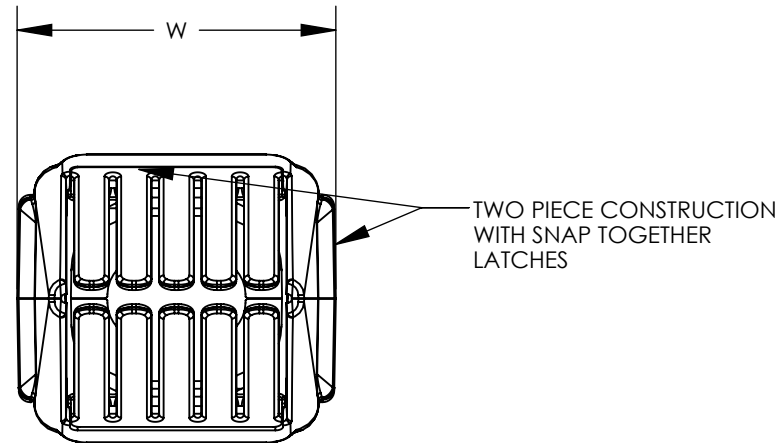
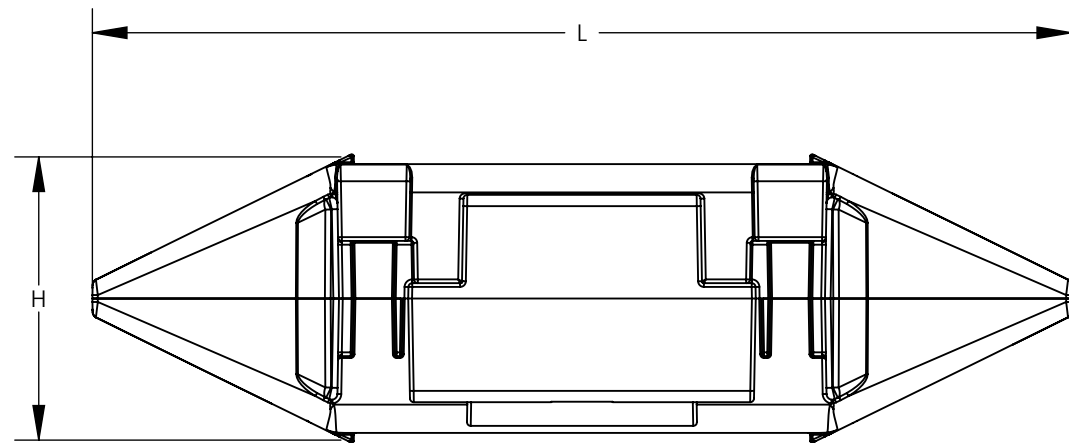
THIS COPY IS PROVIDED ON A RESTRICTED BASIS AND IS NOT TO BE USED IN ANY WAY DETRIMENTAL TO THE INTERESTS OF PANDUIT CORP.

PART NUMBER	FOR PANDUIT H-TAPS	DIMENSIONS IN INCHES		
		L	W	H
CLRCVR1-1	HTCT6X-6X-1	4.48	1.41	1.20



NOTES

- MATERIAL:
  - CLEAR POLYCARBONATE COVER BODY WITH BLACK POLYPROPYLENE FINGERS
  - A. HIGH IMPACT STRENGTH
  - B. U.V. RESISTANT
  - C. FLAMMABILITY RATED (UL94 V-0)
  - D. LIMITING OXYGEN INDEX (L.O.I.) = 28 MINIMUM
- UL LISTED & CSA CERTIFIED:
  - A. WHEN USED WITH SPECIFIED PANDUIT H-TAPS
  - B. MAXIMUM TEMPERATURE RATING OF INSULATION MATERIAL: 90°C
  - C. VOLTAGE RATING OF COVER: 600V MAX.
- COVER PART NUMBER INCLUDES TWO (2) COVER HALVES, TWO (2) MATTED SURFACE SNAP IN LABEL RETAINERS, AND TWO (2) CABLE TIES TO SUPPLEMENT THE MOLDED-IN LATCHES.



**PANDUIT CORP. TINLEY PARK, ILLINOIS**

HTAP CLEAR COVER (CLRCVR1)  
CUSTOMER DRAWING

REV	DATE	BY	CHK	DESCRIPTION	ECN	-R	SUP
02	5/11	JHNU	JHNU	REVISED PART NUMBER IN TABLE: CLRCVR1-1 WAS CLRCVR2-1	N41472BA-C41472	FLD	FLD
01	4/11	JHNU	JHNU	REMOVED HTAP PART NUMBERS HTCT8-8-1 & HTCT6-6-1, ADDED HTCT6X-6X-1 CONVERTED DWG TO SOLIDWORKS, REVISED AGENCY LOGO	N41472BA-C41472	FLD	FLD
00	12/04	JHNU	JHNU	DRAWING RELEASED			

<b>UNLESS OTHERWISE SPECIFIED DIMENSIONAL TOLERANCES ARE:</b>		<b>UNLESS OTHERWISE SPECIFIED, ALL DIMENSIONS ARE GIVEN IN INCHES, THIRD ANGLE PROJECTION</b>
(.X) ± .005	(.XXX) ± .005	
(.XX) ± .006	ANGLES ± .005	SCALE NONE
DRAWN BY JHNU	MAT'L: SEE NOTES	DRAWING NO / CAD FILE C41472_02
DATE 12/04		DWG SIZE B
CHK'D		