

PART NAME: KNOB SCALE: 1:1 DATE: 2/1/56 DR. BY AM

THIS DRAWING IS THE PROPERTY OF DAVIES MOLDING COMPANY, IS SUBMITTED SOLELY AS A DESIGN OR ENGINEERING PROJECT. WE ACCEPT NO RESPONSIBILITY WHATSOEVER FOR THE PRACTICAL APPLICATION OF THE PIECES MADE TO THIS DESIGN.



DESIGNERS & MANUFACTURERS OF KNOBS, HANDLES, CASES & CUSTOM PLASTIC COMPONENTS

P/N 3008BR

M^{NO.} 3008

CAVITY 3008

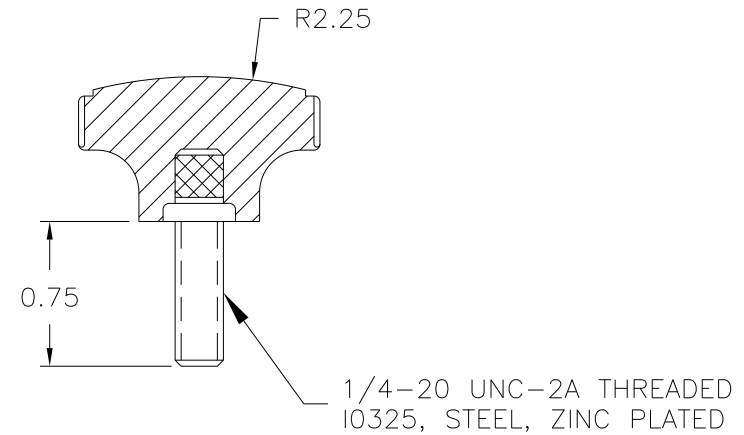
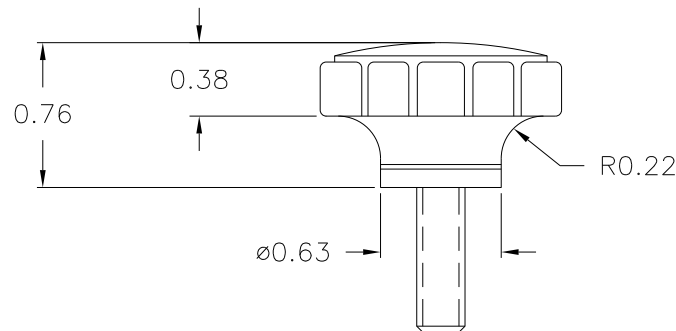
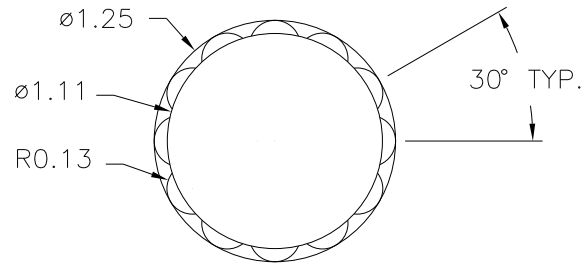
PLUNGER 3008

Ⓐ OUTER PIN 3008-28

INNER PIN NONE

SHIMS 3008-A+B

INSERT 10325



Ⓑ MATERIAL: PHENOLIC (B41)
COLOR: BLACK

TOLERANCES: UNLESS OTHERWISE SPECIFIED	DO NOT SCALE DRAWING	B	CHANGED MATERIAL TO B41 WAS B11	EW	6/12/15
		A	ADDED INNER & OUTER PINS, CORRECTED TOOLING BOX	TS	10/16/02
DECIMALS: X.XXX ± .005 X.XX ± .015	MM: X.XX ± 0.15MM X.X ± 0.4MM	-	RE-DID REDRAW	TL	11/24/99
		-	CAD REDRAW	HD	9/12/97
FRACTIONS ± 1/64	ANG. ± 1°	CHANGES			