

Fuse Inserter/Extractor with Cover Function for 10.3x38 mm Fuses in Clips, Patent Pending



ESO Fuse Inserter/Extractor (part of the delivery)

**Order required accessories separately**



**Description**

- Fuse inserter, extractor and cover in one component
- Patented, compact and cost-effective design
- Terminal marking optional possible
- Touch-safe according to IP20
- Captive fuse
- Designed for use with CSO clips only

**Standards**

- UL 4248-1
- CSA C22.2 no. 39

**Approvals**

- UL File Number: E39328

**Applications**

- All photovoltaic applications
- Inverters
- Battery charge controllers
- String fuses
- DC applications

**References**

Mating cover to [ASO 10.3x38](#); [CSO](#)

**Weblinks**

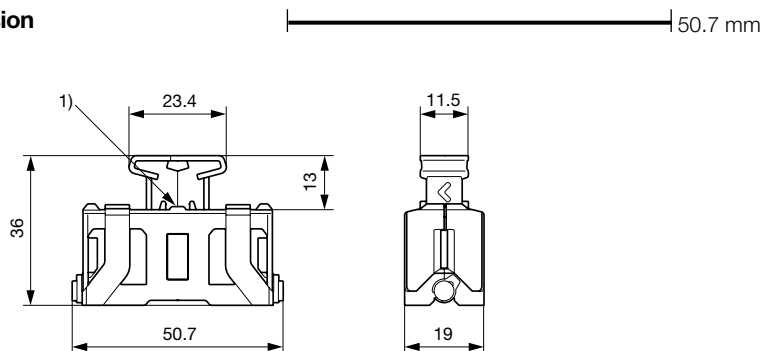
[pdf datasheet](#), [html-datasheet](#), [General Product Information](#), [Packaging details](#), [Approvals](#), [CE declaration of conformity](#), [RoHS](#), [CHINA-RoHS](#), [REACH](#), [Distributor-Stock-Check](#), [Accessories](#), [Detailed request for product](#), [Video](#)

**Technical Data**

Fuse-Link	10.3 x 38 mm	Contact Resistance	< 5mΩ at 20 mV
Mounting	Plug-in assembly		
Degree of Protection	IP 20		
Admissible Ambient Air Temp.	-40 °C to 85 °C		
Climatic Category	40/085/21 acc. to IEC 60068-1		
Material	Thermoplastic black UL 94V-0		
Unit Weight	9.2 g		
Storage Conditions	0 °C to 60 °C, max. 70% r.h.		
Product Marking	Type, Safety Note		

Detailed information on product approvals, code requirements, usage instructions and detailed test conditions can be looked up in [General Product Information](#)

**Dimension**



<sup>1)</sup> Position for optional terminal marking (terminal block width: 5.2 mm, lettering field: 4.6x5.1 mm, e.g. item 0818153 from Phoenix Contact)

## All Variants

Type	Packaging	Order Number
ESO 10.3x38	Bulk (50 pcs.)	<a href="#">0853.1250</a>
ESO 10.3x38	Bulk (500 pcs.)	<a href="#">0853.1251</a>

Availability for all products can be searched real-time:<http://www.schurter.com/en/Stock-Check/Stock-Check-SCHURTER>

## Required Accessory

### Description



**CSO**  
Heavy Duty Fuse Clip, 10.3 x 38 /10.3 x 85 mm, 1500 VAC/VDC, 32 A