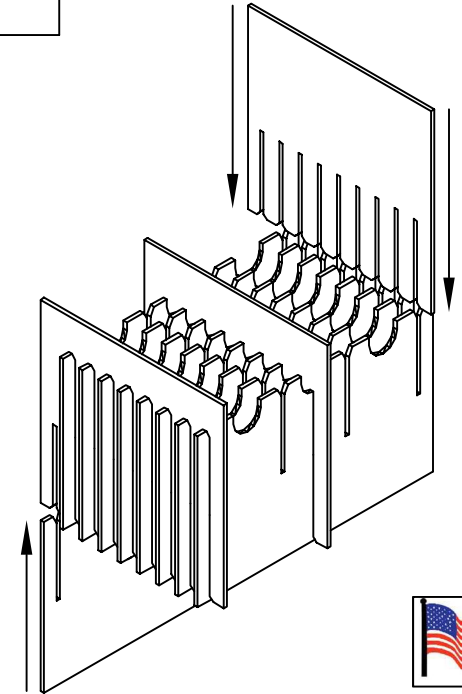
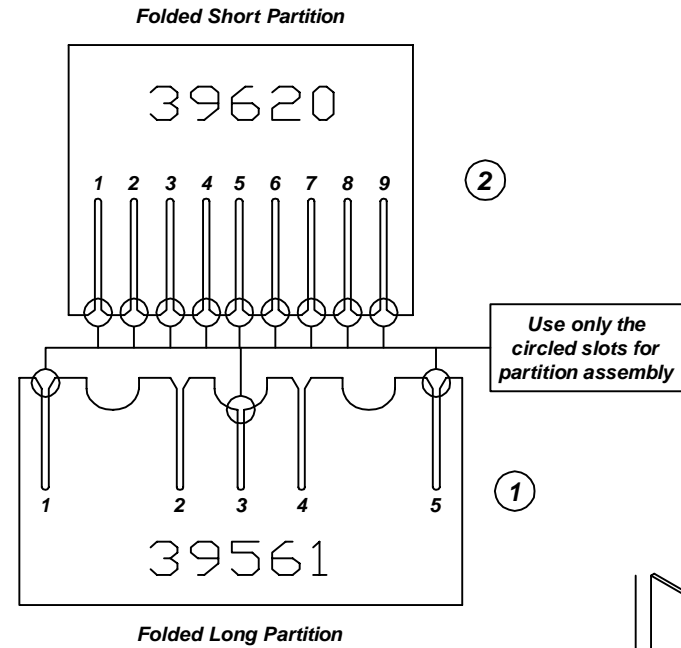
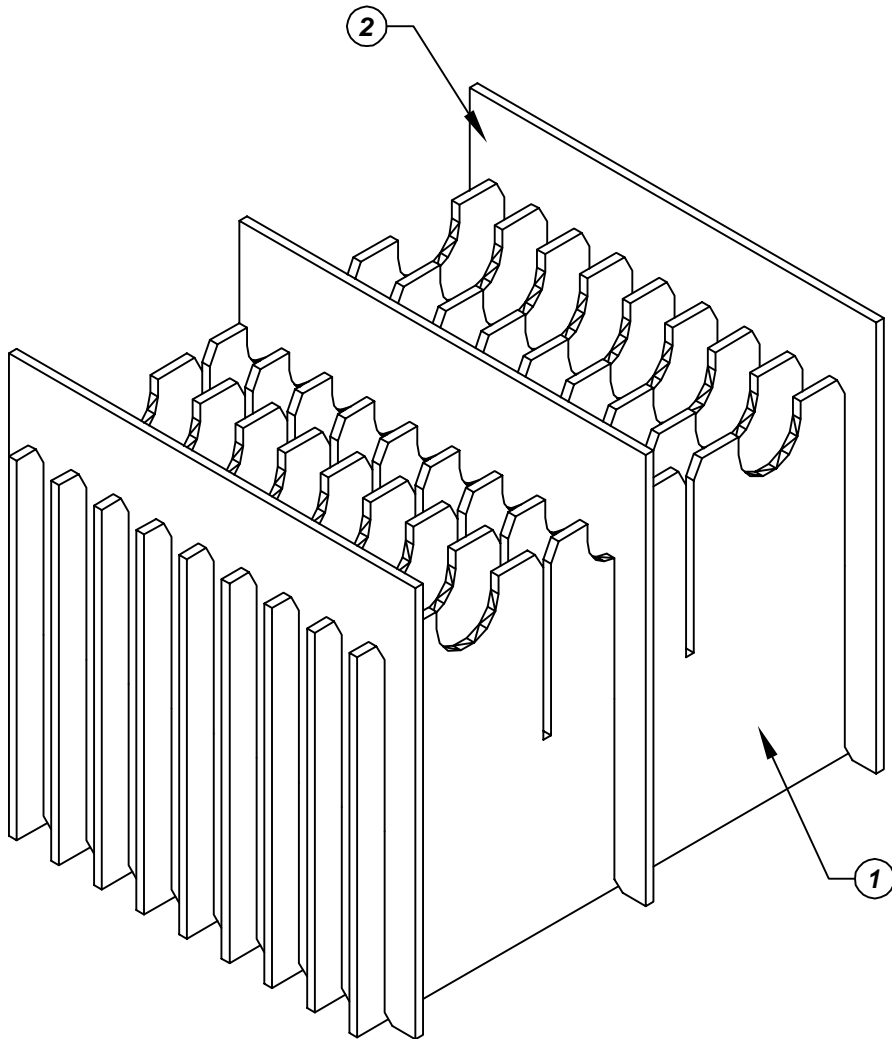


# Assembly Instructions for - 37178



Made in America

F/N (1)	Part # 39561	Dimensions: 21-1/2" x 16-7/8"	Description: 439/403/434-LP Long Partition	Qty: 9
F/N (2)	Part # 39620	Dimensions: 25-1/2" x 13-1/8"	Description: 403-SP Short Partition	Qty: 3

## 37178 - 20 Cell Inplant Handler Cell Size - 12-5/8" x 7-1/8" x 1"

Notes:  
 For use with the following storage container & lid:  
 37503 - Storage Container  
 37551 - Lid

PROTEKTIVE PAK  
 13520 MONTE VISTA AVENUE, CHINO, CA 91710  
 PHONE (909) 627-2578, FAX (909) 363-7331  
 ProtektivePak.com



DRAWING NUMBER  
**IPH-37178**

DATE  
 Dec.  
 2007