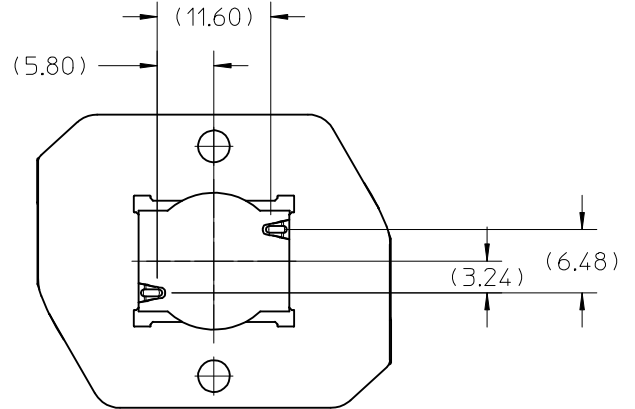
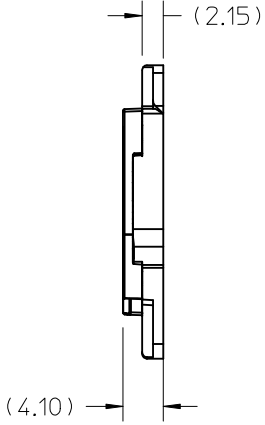
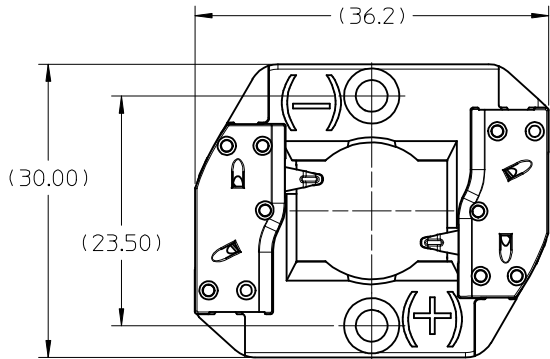
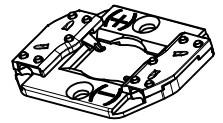


10	9	8	7	6	5	4	3	2	1
PART NUMBER	DESCRIPTION			MATERIAL	COLOR	AGENCY APPROVAL			
180390-0002	COB LED HOLDER ASSEMBLY 15.0MM X 12.0MM - NYLON			POLYAMIDE, GLASS FILLED	NATURAL	UL 496 FILE# E345583			
180390-0102	COB LED HOLDER ASSEMBLY 15.0MM X 12.0MM - PBT			POLYESTER, GLASS FILLED	WHITE	UL 496 FILE# E345583			



- NOTES:
- MATERIALS: HOUSING AND CAP: SEE CHART
TERMINAL: COPPER ALLOY
 - FINISHES: COB LED CONTACT BEAM: GOLD OVER NICKEL, WIRE TRAP: TIN OVER NICKEL
 - PRODUCT SPECIFICATION: PS-180390-002
 - PACKGING SPECIFICATION PK-180396-101
 - APPLICATION SPECIFICATION: AS-180328-001
 - APPLICABLE WIRE GAUGE - 18, 20, AND 22 AWG
 - TINNED SOLID WIRE IS PREFERRED
 - FOR STRANDED WIRE, PRE-TINNED IS RECOMMENDED
 - 10 mm +2/-0 mm STRIP LENGTH IS RECOMMENDED
 - MOUNT HOLDER USING M3 OR 4-40 SCREWS (2), SEE SHEET 3 FOR TORQUE SPECIFICATION.
 - THIS PRODUCT IS ELV AND ROHS COMPLIANT
 - ALL DIMENSIONS IN PARENTHESIS (XX.XX) ARE FOR REFERENCE ONLY



ISO TOP VIEW
SCALE 1:1

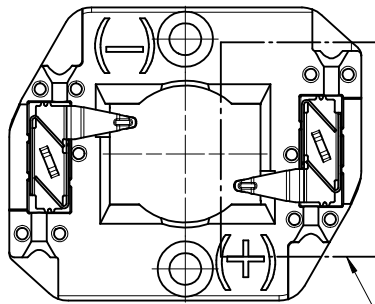
ENTER DESCRIPTION EC NO: SSL2017-0012 (DRAWN: ZAB.JANOVSKI 2016/08/16) CHKD: APPR: GMEYER 2016/09/21 REV	QUALITY SYMBOLS	GENERAL TOLERANCES (UNLESS SPECIFIED)		DIMENSION STYLE MM ONLY		SCALE 2:1	DESIGN UNITS METRIC	THIRD ANGLE PROJECTION	
	$\nabla F=0$	mm	INCH	DRAWN BY MDEVITO	DATE 2012/02/03	COB LED HOLDER 15.0MM X 12.0MM RECTANGLE			
	$\nabla F=0$	4 PLACES ± ---	± ---	CHECKED BY	DATE				
	$\nabla F=0$	3 PLACES ± ---	± ---	APPROVED BY DMCGOWAN		DATE 2012/02/07	MOLEX INCORPORATED		DOCUMENT NO. SD-180390-002
$\nabla F=0$	2 PLACES ± 0.13	± ---	MATERIAL NO.		SHEET NO. 1 OF 3				
DRAFT WHERE APPLICABLE MUST REMAIN WITHIN DIMENSIONS		ANGULAR ±1/2°		SEE CHART		THIS DRAWING CONTAINS INFORMATION THAT IS PROPRIETARY TO MOLEX INCORPORATED AND SHOULD NOT BE USED WITHOUT WRITTEN PERMISSION			

10 9 8 7 6 5 4 3 2 1

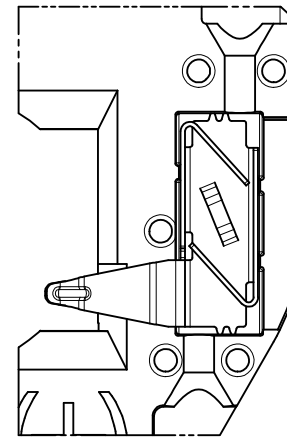
DETAIL VIEW OF TWO-WAY WIRE TRAP

WIRE TRAPS CAN ACCOMMODATE
18, 20, AND 22 GAUGE WIRE

NOTE: WIRE TRAP CAPS ARE REMOVED FOR CLARITY



SEE DETAIL A

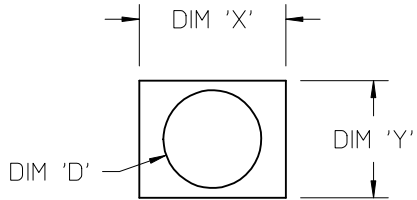


DETAIL A
SCALE 4:1

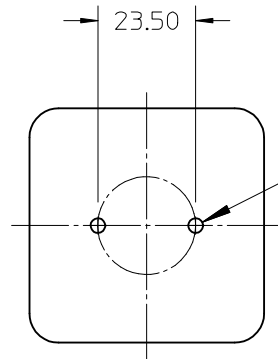
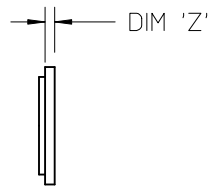
ENTER DESCRIPTION EC NO: SSL2017-0012 DRWNL:ZAB,JANOVSKI 2016/08/16 CHKD: APPR:GMEYER 2016/09/21 REV	QUALITY SYMBOLS $\nabla F/0$ $\nabla F/0$ $\nabla F/0$	GENERAL TOLERANCES (UNLESS SPECIFIED) mm INCH 4 PLACES \pm --- \pm --- 3 PLACES \pm --- \pm --- 2 PLACES \pm 0.13 \pm --- 1 PLACE \pm 0.25 \pm --- ANGULAR \pm 1/2°	DIMENSION STYLE MM ONLY DRAWN BY DATE MDEVITO 2012/02/03 CHECKED BY DATE	SCALE 2:1	DESIGN UNITS METRIC	THIRD ANGLE PROJECTION
	DRAFT WHERE APPLICABLE MUST REMAIN WITHIN DIMENSIONS		APPROVED BY DATE DMCGOWAN 2012/02/07	TITLE COB LED HOLDER 15.0MM X 12.0MM RECTANGLE		
	MATERIAL NO.		SEE CHART	MOLEX INCORPORATED		SHEET NO. 2 OF 3
	SIZE B		THIS DRAWING CONTAINS INFORMATION THAT IS PROPRIETARY TO MOLEX INCORPORATED AND SHOULD NOT BE USED WITHOUT WRITTEN PERMISSION			DOCUMENT NO. SD-180390-002

9 8 7 6 5 4 3 2 1

COB MFG	TYPE	DIM 'X'	DIM 'Y'	DIM 'Z'	DIM 'D'
SHARP	MINI ZENIGATA	15.0	12.0	1.0	10.0
NICHIA	N***S024*	15.0	12.0	1.0	8.7
LUMILEDS	LUXEON L2C2 1202E0600	15.0	12.0	1.0	8.8



COB LED
SCALE 2:1



M3 OR 4-40 TAPPED HOLES (2)
TORQUE: CERAMIC 0.20 N-M MIN TO 0.40 N-M MAX
ALUMINUM 0.40 N-M MIN TO 0.80 N-M MAX

RECOMMENDED MOUNTING DIMENSIONS (NTS)

ENTER DESCRIPTION EC NO: SSL2017-0012 DRWNL:ZABJANOVSKI 2016/08/16 CHKD: APPR:GMEYER 2016/09/21	QUALITY SYMBOLS $\nabla F/0$ $\nabla F/0$ $\nabla F/0$	GENERAL TOLERANCES (UNLESS SPECIFIED) <table border="1"> <thead> <tr> <th></th> <th>mm</th> <th>INCH</th> </tr> </thead> <tbody> <tr> <td>4 PLACES</td> <td>± ---</td> <td>± ---</td> </tr> <tr> <td>3 PLACES</td> <td>± ---</td> <td>± ---</td> </tr> <tr> <td>2 PLACES</td> <td>± 0.13</td> <td>± ---</td> </tr> <tr> <td>1 PLACE</td> <td>± 0.25</td> <td>± ---</td> </tr> <tr> <td>0 PLACE</td> <td>± ---</td> <td>± ---</td> </tr> </tbody> </table>		mm	INCH	4 PLACES	± ---	± ---	3 PLACES	± ---	± ---	2 PLACES	± 0.13	± ---	1 PLACE	± 0.25	± ---	0 PLACE	± ---	± ---	DIMENSION STYLE MM ONLY	SCALE 2:1	DESIGN UNITS METRIC	THIRD ANGLE PROJECTION
		mm	INCH																					
	4 PLACES	± ---	± ---																					
	3 PLACES	± ---	± ---																					
2 PLACES	± 0.13	± ---																						
1 PLACE	± 0.25	± ---																						
0 PLACE	± ---	± ---																						
		<table border="1"> <thead> <tr> <th>DRAWN BY</th> <th>DATE</th> </tr> </thead> <tbody> <tr> <td>MDEVITO</td> <td>2012/02/03</td> </tr> <tr> <th>CHECKED BY</th> <th>DATE</th> </tr> <tr> <td></td> <td></td> </tr> </tbody> </table>	DRAWN BY	DATE	MDEVITO	2012/02/03	CHECKED BY	DATE			TITLE COB LED HOLDER 15.0MM X 12.0MM RECTANGLE													
DRAWN BY	DATE																							
MDEVITO	2012/02/03																							
CHECKED BY	DATE																							
		<table border="1"> <thead> <tr> <th>APPROVED BY</th> <th>DATE</th> </tr> </thead> <tbody> <tr> <td>DMCGOWAN</td> <td>2012/02/07</td> </tr> </tbody> </table>	APPROVED BY	DATE	DMCGOWAN	2012/02/07	MATERIAL NO. SEE CHART	DOCUMENT NO. SD-180390-002	SHEET NO. 3 OF 3															
APPROVED BY	DATE																							
DMCGOWAN	2012/02/07																							
D3		ANGULAR ±1/2° DRAFT WHERE APPLICABLE MUST REMAIN WITHIN DIMENSIONS	SIZE B	THIS DRAWING CONTAINS INFORMATION THAT IS PROPRIETARY TO MOLEX INCORPORATED AND SHOULD NOT BE USED WITHOUT WRITTEN PERMISSION																				