

Introduction

The 32F412GDISCOVERY discovery kit is a complete demonstration and development platform for STMicroelectronics ARM® Cortex® -M4 core-based STM32F412ZGT6 microcontroller. This microcontroller features four I²C buses, four USART ports, five SPI ports with two multiplexed full-duplex I²S buses, SDIO interface, USB OTG full-speed 2.0 port, two CAN buses, FMC parallel interface, two digital filters for sigma-delta modulators, PDM interface for two digital microphones, one 12-bit ADC, dual Quad-SPI interface, JTAG and SWD debugging support. This discovery kit offers everything required for users to get started quickly and develop applications easily.

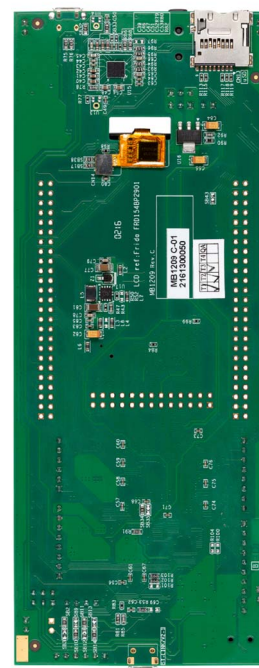
A full range of hardware features on the board helps users to evaluate on-board peripherals such as: USB OTG FS, microSD™ card, full-duplex I²S with an audio codec and stereo jack for headset including analog microphone, DFSDM with a pair of ST-MEMS digital microphones on board, Quad-SPI Flash memory device, 1.54" TFT LCD using FMC interface with capacitive touch panel.

The Arduino™ Uno V3 compatible connectors expand the functionality with a wide choice of specialized shields. The extension connectors allow easy connection of a daughterboard for specific customer applications. The integrated ST-LINK/V2-1 provides an embedded in-circuit debugger and programmer for the STM32.

Figure 1. 32F412GDISCOVERY (top view)



Figure 2. 32F412GDISCOVERY (bottom view)



1. Pictures are not contractual.

Contents

- 1 Features 7**
- 2 Demonstration software 7**
- 3 Product marking 8**
- 4 Ordering information 8**
- 5 Technology partner 8**
- 6 Hardware layout and configuration 9**
 - 6.1 32F412GDISCOVERY discovery kit mechanical drawing 11
 - 6.2 Embedded ST-LINK/V2-1 11
 - 6.2.1 Drivers 12
 - 6.2.2 ST-LINK/V2-1 firmware upgrade 12
 - 6.3 Power supply 12
 - 6.3.1 Power supply sources 12
 - 6.3.2 STM32 power supply options 13
 - 6.3.3 Modification of STM32 voltage 13
 - 6.3.4 Supplying the 32F412GDISCOVERY through
the ST-LINK/V2-1 USB port 14
 - 6.3.5 Programming/debugging when the power supply
is not from ST-LINK/V2-1 15
 - 6.3.6 Measurement of current IDD drawn by the microcontroller 15
 - 6.4 Clock source 18
 - 6.4.1 HSE clock source 18
 - 6.4.2 LSE clock source 18
 - 6.5 Reserved use of solder bridges 18
 - 6.6 Reset source 18
 - 6.7 Boot options 19
 - 6.8 Audio codec 20
 - 6.8.1 Stereo headset and headphone jack 20
 - 6.8.2 Loudspeaker output 20
 - 6.9 Digital microphones 20

6.10	USB OTG FS	20
6.10.1	32F412GDISCOVERY is USB device	21
6.10.2	32F412GDISCOVERY is USB host	21
6.11	microSD card	21
6.12	I ² C extension connector	21
6.13	Quad-SPI NOR Flash memory	22
6.14	Virtual COM port	22
6.15	Arduino Uno V3 connectors	22
6.16	Extension connectors P1 and P2	24
6.17	LCD display, backlight and touch panel	26
6.17.1	LCD display	26
6.17.2	LCD signal access (CN7)	27
6.17.3	Backlight	28
6.17.4	Touch panel	28
6.18	Joystick and LEDs	28
7	Connectors	30
7.1	I ² C extension connector CN10	30
7.2	USB OTG FS Micro-AB connector CN3	30
7.3	microSD connector CN13	31
7.4	ST-LINK/V2-1 USB Micro-B connector CN6	31
Appendix A	Schematics	33
Appendix B	Federal Communications Commission (FCC) and Industry Canada (IC) Compliance Statements	45
B.1	FCC Compliance Statement	45
B.1.1	Part 15.19	45
B.1.2	Part 15.105	45
B.1.3	Part 15.21	45
B.2	IC Compliance Statement	45
B.2.1	Compliance Statement	45
B.2.2	Déclaration de conformité	45
Appendix C	CISPR32	46
C.1	Warning	46

Revision history **47**

List of tables

Table 1.	Ordering information	8
Table 2.	Power-supply-related jumper settings	15
Table 3.	Boot options	19
Table 4.	Boot-related solder bridge and resistor settings	19
Table 5.	Arduino Uno V3 compatible connectors	22
Table 6.	Pin assignment for the extension connector P1	24
Table 7.	Pin assignment for the extension connector P2	25
Table 8.	Pin assignment for connector CN15	26
Table 9.	Pin assignment for connector CN7	27
Table 10.	Port assignment to the LED indicators	29
Table 11.	I ² C extension connector pinout CN10	30
Table 12.	USB OTG FS Micro-AB connector CN3	30
Table 13.	microSD connector CN13	31
Table 14.	USB Micro-B connector CN6	32
Table 15.	Document revision history	47

List of figures

Figure 1. 32F412GDISCOVERY (top view) 1
Figure 2. 32F412GDISCOVERY (bottom view) 1
Figure 3. Hardware block diagram 9
Figure 4. 32F412GDISCOVERY top layout 10
Figure 5. 32F412GDISCOVERY bottom layout 10
Figure 6. 32F412GDISCOVERY mechanical drawing 11
Figure 7. USB composite device 12
Figure 8. R90 and R92 resistors 14
Figure 9. I²C extension connector CN10 (front view) 30
Figure 10. USB OTG FS Micro-AB connector CN3 (front view) 30
Figure 11. microSD connector CN13 (front view) 31
Figure 12. USB Micro-B connector CN6 (front view) 31
Figure 13. 32F412GDISCOVERY discovery kit 34
Figure 14. 32F412GDISCOVERY MCU 35
Figure 15. 32F412GDISCOVERY Power 36
Figure 16. 32F412GDISCOVERY LCD 37
Figure 17. 32F412GDISCOVERY Quad-SPI 38
Figure 18. 32F412GDISCOVERY Audio 39
Figure 19. 32F412GDISCOVERY Peripherals 40
Figure 20. 32F412GDISCOVERY USB OTG FS 41
Figure 21. 32F412GDISCOVERY extension connectors 42
Figure 22. 32F412GDISCOVERY Arduino Uno V3 connector 43
Figure 23. 32F412GDISCOVERY ST-LINK/V2-1 44

1 Features

- STM32F412ZGT6 microcontroller featuring 1 Mbyte of Flash memory and 256 Kbytes of RAM in LQFP144 package
- On-board ST-LINK/V2-1 SWD debugger, supporting USB re-enumeration capability:
 - Virtual COM port
 - Mass storage
 - Debug port
- 1.54-inch, 240x240-pixel TFT color LCD with parallel interface
- I²S audio codec, with a stereo headset jack, including analog microphone input and a loudspeaker output
- Stereo digital ST-MEMS microphones.
- microSD™ card connector
- I²C extension connector
- 128-Mbit Quad-SPI NOR Flash memory
- Reset button and joystick
- Four-color user LEDs
- USB OTG FS with Micro-AB connector
- Four options for power-supply source:
 - ST-LINK/V2-1 USB connector
 - User USB FS connector
 - VIN from Arduino™ Uno V3 connector
 - +5 V from Arduino™ Uno V3 connector
- Two supply voltage options for STM32: 2.0 V and 3.3 V
- Compatible Arduino™ Uno V3 connectors
- Extension connectors for direct access to various features of the STM32F412ZGT6
- Comprehensive free software including a variety of examples, part of the STM32Cube package

2 Demonstration software

Demonstration software is preloaded in the STM32F412ZGT6 Flash memory. The latest version of the demonstration source code and the associated documentation can be downloaded from the www.st.com/stm32f4-discovery webpage.

3 Product marking

Evaluation tools marked as "ES" or "E" are not yet qualified and therefore they are not ready to be used as reference design or in production. Any consequences deriving from such usage will not be at ST charge. In no event, ST will be liable for any customer usage of these engineering sample tools as reference design or in production.

"E" or "ES" marking examples of location:

- On the targeted STM32 that is soldered on the board (for illustration of STM32 marking, refer to the section "Package information" of the STM32 datasheet available at www.st.com).
- Next to the evaluation tool ordering part number, that is stuck or silk-screen printed on the board.

4 Ordering information

To order the 32F412GDISCOVERY discovery kit refer to [Table 1](#):

Table 1. Ordering information

Order code	Target STM32
STM32F412G-DISCO	STM32F412ZGT6

5 Technology partner

MICRON:

- 128-Mbit Quad-SPI NOR Flash memory device, part number **N25Q128A**

6 Hardware layout and configuration

The 32F412GDISCOVERY discovery kit is designed around the STM32F412ZGT6 (144-pin TQFP package). The hardware block diagram showed in *Figure 3*, illustrates the STM32F412ZGT6 connections with the peripherals. *Figure 4* and *Figure 5* show the location of the main components on the discovery kit.

Figure 3. Hardware block diagram

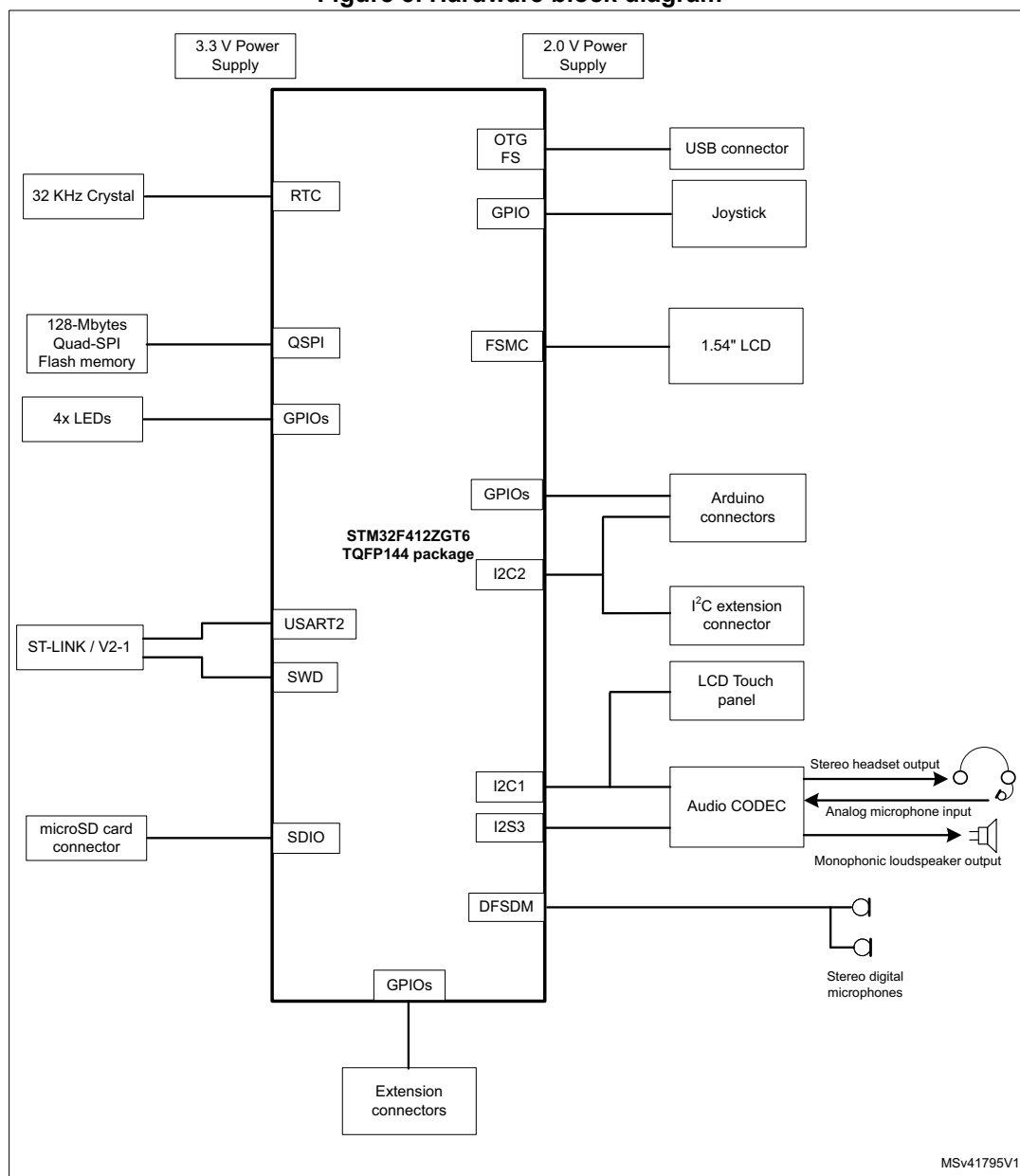


Figure 4. 32F412GDISCOVERY top layout

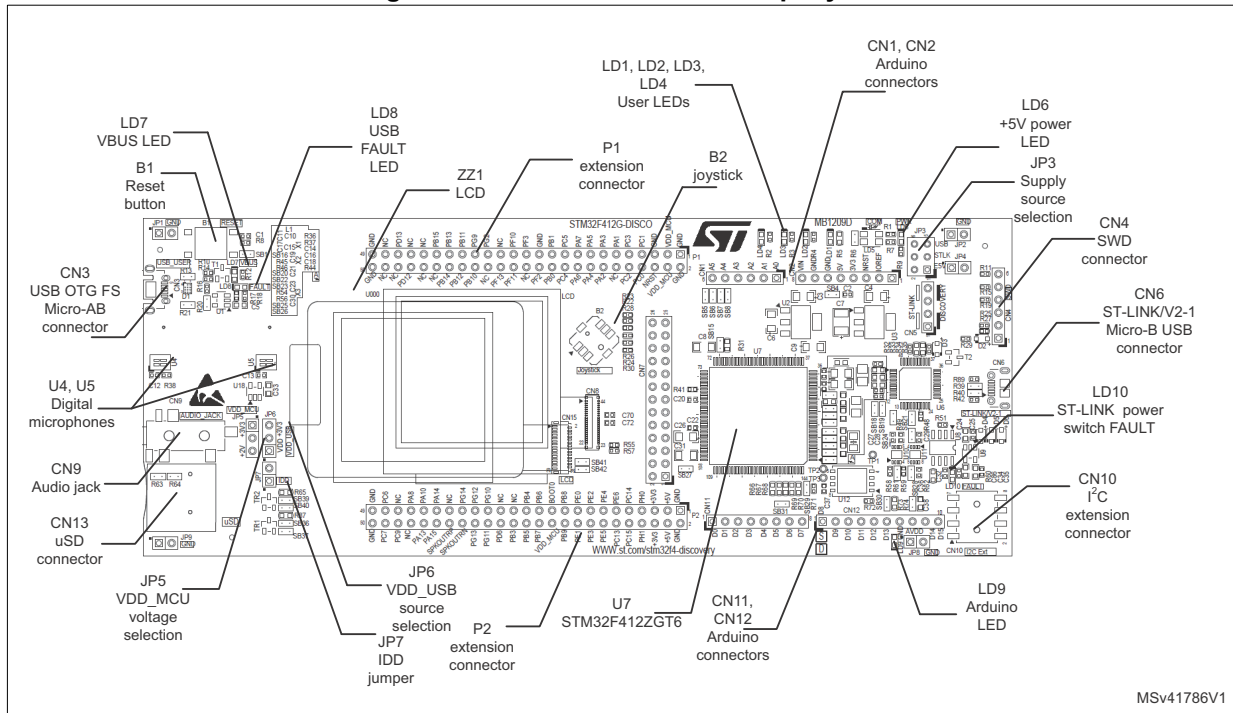
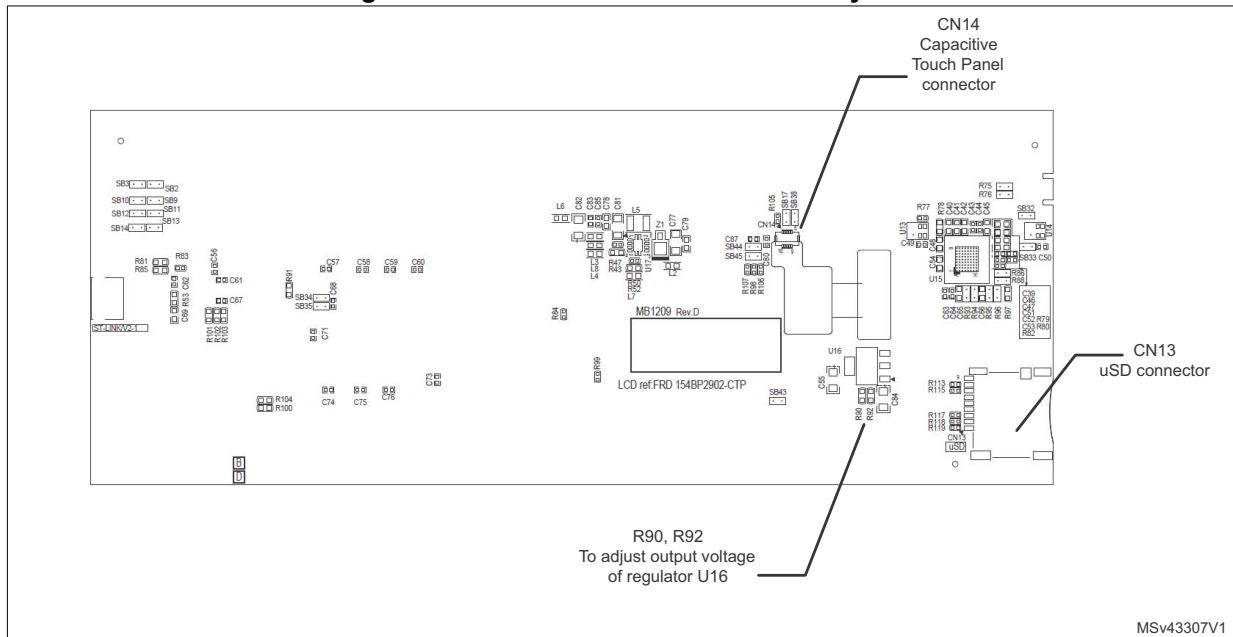
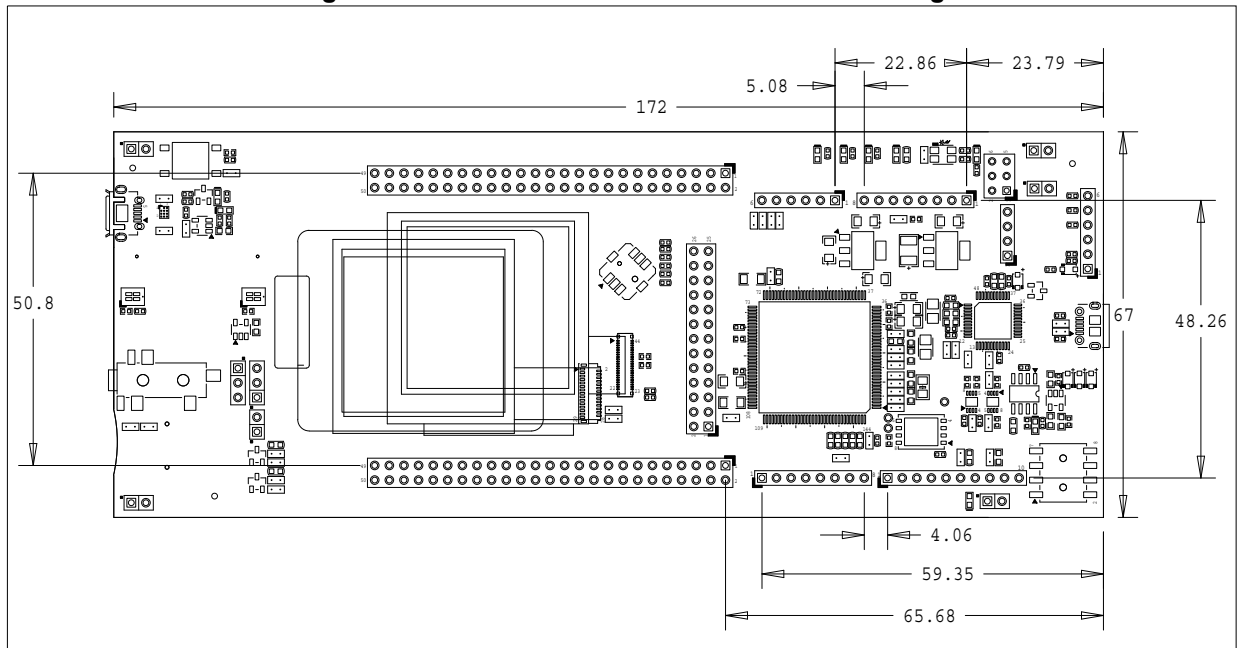


Figure 5. 32F412GDISCOVERY bottom layout



6.1 32F412GDISCOVERY discovery kit mechanical drawing

Figure 6. 32F412GDISCOVERY mechanical drawing



6.2 Embedded ST-LINK/V2-1

ST-LINK/V2-1 programming and debugging tool is integrated into the 32F412GDISCOVERY discovery kit. Compared to ST-LINK/V2 stand-alone tool available from STMicroelectronics, ST-LINK/V2-1 offers new features and drops some others.

New features:

- USB software re-enumeration
- Virtual COM port interface on USB
- Mass storage interface on USB
- USB power management request for more than 100 mA power on USB

Feature dropped:

- SWIM interface

For all general information concerning debugging and programming features common between V2 and V2-1 versions, refer to *ST-LINK/V2 in-circuit debugger/programmer for STM8 and STM32 User manual (UM1075)* at the www.st.com website.

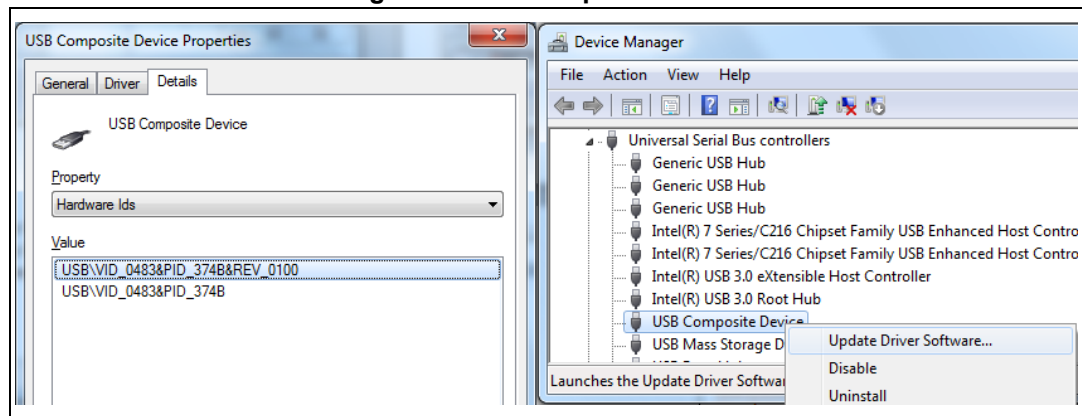
6.2.1 Drivers

Before connecting STM32F412ZGT6 to a Windows® XP, 7 or 8 PC via USB, a driver for ST-LINK/V2-1 must be installed. It can be downloaded from the www.st.com website.

In case the 32F412GDISCOVERY discovery kit is connected to the PC before the driver is installed, some 32F412GDISCOVERY interfaces may be declared as "unknown" in the PC device manager. To recover from this situation the user must install the driver files, and update the driver of the connected device from the device manager (see [Figure 7](#)).

Note: Prefer using the "USB Composite Device" handle for a full recovery.

Figure 7. USB composite device



6.2.2 ST-LINK/V2-1 firmware upgrade

ST-LINK/V2-1 employs a dedicated MCU with Flash memory. Its firmware determines ST-LINK/V2-1 functionality and performance. The firmware may evolve during the life span of the 32F412GDISCOVERY to include new functionalities, fix bugs or support new target microcontroller families. It is therefore recommended to keep the ST-LINK/V2-1 firmware up to date. The latest version is available from the www.st.com website.

6.3 Power supply

6.3.1 Power supply sources

The 32F412GDISCOVERY discovery kit is designed to be powered by the following sources:

- 5 V DC from the ST-LINK/V2-1 USB connector CN6 with 500 mA current limitation. Power mechanism of supplying the discovery kit by the ST-LINK/V2-1 is explained in [Section 6.3.4: Supplying the 32F412GDISCOVERY through the ST-LINK/V2-1 USB port](#). A jumper should be placed in location STLK of JP3, connecting pins 3 and 4. The green LED LD6 is lighted on to confirm the presence of +5 V voltage.
- 5 V DC from the user USB FS connector CN3. A jumper should be placed in location USB of JP3, connecting pins 5 and 6. The green LED LD6 is lighted on to confirm the presence of +5 V voltage.
- 6 V to 9 V DC from VIN pin of Arduino Uno V3 compatible connector CN2. The voltage is limited to 9 V to keep the temperature of the regulator U3 within his thermal safe

area. A jumper should be placed in location E5V of jumper JP3, connecting pin 1 to pin 2 of JP3. The green LED LD6 is lighted on to confirm the presence of +5 V voltage.

- 5 V DC from +5 V pin of Arduino Uno V3 connector (CN2 pin 5) with limitations. The jumpers on JP3 and CN5 have to be removed, SB21 (NRST) and SB28 (SWO) have to be opened. In such configuration the ST-LINK/V2-1 MCU is not powered, as consequence the 8 MHz of the ST-LINK/V2-1 cannot be used as external input clock for the STM32.

For details on JP3 jumper setting refer to [Table 2: Power-supply-related jumper settings](#).

6.3.2 STM32 power supply options

The 32F412GDISCOVERY offers the possibility to supply the STM32 under 2.0 V or 3.3 V. A jumper has to be placed in location 2.0 V of JP5 to supply the STM32 under 2.0 V, then pins 2 and 3 are connected. Similarly the jumper has to be placed in 3.3 V to supply the STM32 with 3.3 V, then pins 1 and 2 of JP5 are connected.

For details on JP5 jumper setting refer to [Table 2: Power-supply-related jumper settings](#).

6.3.3 Modification of STM32 voltage

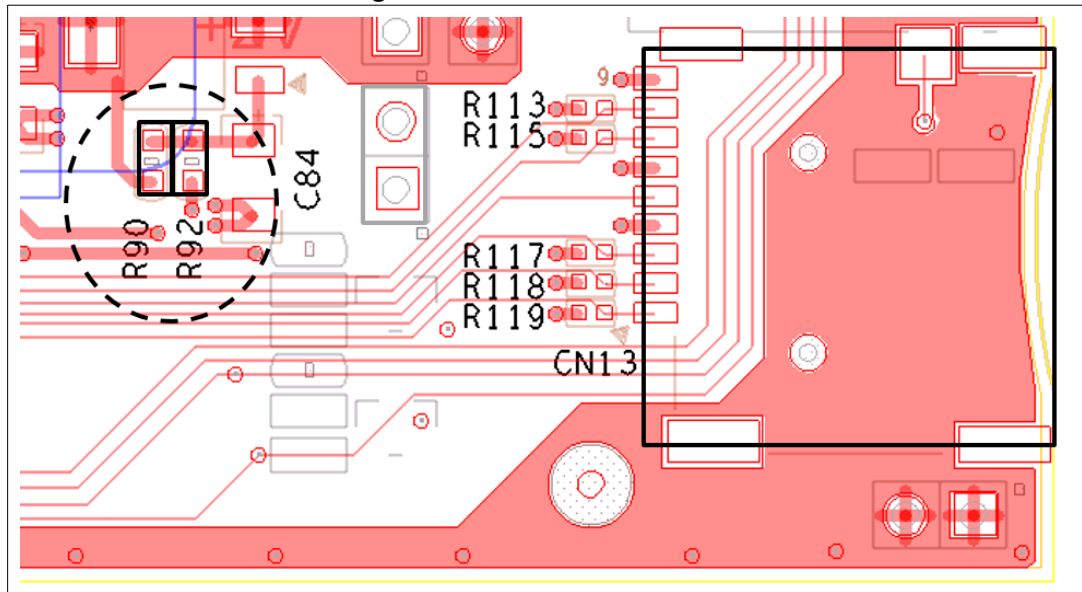
Regulator U16 LD1117STR is dedicated to the 2.0 V supply. The output voltage of U16 is by default 2.0 V but it is adjustable depending on the resistors R90 and R92 which are by default 120 and 68 ohms respectively. The output voltage is calculated as following:

$$V_{OUT} = V_{REF} \times (1 + (R92) \div (R90))$$

with $V_{REF} = 1.25 \text{ V}$.

If necessary, resistors R90 and R92 can be changed to modify the STM32 supply voltage. R90 and R92 are easily located bottom side of the discovery kit near U16 (see [Figure 5](#) and [Figure 8](#)).

Figure 8. R90 and R92 resistors



6.3.4 Supplying the 32F412GDISCOVERY through the ST-LINK/V2-1 USB port

To power the 32F412GDISCOVERY through the ST-LINK/V2-1, the USB host (a PC) gets connected with the 32F412GDISCOVERY Micro-B USB receptacle CN6, via a USB cable. This event starts the USB enumeration procedure. In its initial phase, the current supply capability of the USB port located on the host, is limited to 100 mA. It is enough because only the ST-LINK/V2-1 part of the 32F412GDISCOVERY discovery kit draws power at that time. If the solder bridge SB18 is open (default configuration), the U8 ST890 power switch is set to OFF position, and only the ST-LINK/V2-1 is powered. In the next phase of the enumeration procedure, the host PC informs the ST-LINK/V2-1 facility of its capability to supply up to 500 mA of current. If the answer is positive, the ST-LINK/V2-1 sets the U8 ST890 switch to ON position to supply power to the remainder of the 32F412GDISCOVERY discovery kit. If the PC USB port is not capable of supplying up to 500 mA of current, another power source should be used like VIN pin of connector CN2.

Should a short-circuit occur on the discovery kit, the ST890 power switch protects the USB port of the host against current demand exceeding 600 mA. In such an event, the red LED FAULT LD10 lights on.

The 32F412GDISCOVERY discovery kit can also be supplied from a USB power source not supporting enumeration, such as a USB charger. In this particular case, SB18 solder bridge must be closed. ST-LINK/V2-1 turns the ST890 power switch ON regardless of the enumeration procedure result and passes the power unconditionally to the discovery kit.

The green LED LD6 turns on whenever the discovery kit is powered.

6.3.5 Programming/debugging when the power supply is not from ST-LINK/V2-1

Before connecting the USB cable from the ST-LINK/V2-1 USB connector CN6 to the PC, it is mandatory to power the discovery kit using the user USB FS connector CN3 or the VIN pin of the Arduino Uno V3 connector CN2. Proceeding this way, ensures that the enumeration succeeds thanks to the external power source.

The following power sequence procedure must be respected:

1. Put a jumper in JP3 at location USB to use power from the user USB CN3 or at location E5V to use power from VIN of Arduino Uno V3 connector CN2.
2. Connect the corresponding external power source.
3. Check that the green LED LD6 is turned ON
4. Connect the PC to the ST-LINK/V2-1 USB connector CN6

If this order is not respected, the discovery kit may be powered by VBUS first from ST-LINK/V2-1, and the following risks may be encountered:

1. If more than 500 mA current is needed by the discovery kit, the PC may be damaged or current can be limited by PC. As a consequence the discovery kit is not powered correctly.
2. 500 mA is requested at the enumeration. If the PC cannot provide such current there is a risk that the request is rejected and the enumeration does not succeed.

6.3.6 Measurement of current IDD drawn by the microcontroller

The jumper JP7 should be closed by default to supply the STM32F412ZGT6. To measure the current IDD drawn by the microcontroller STM32F412ZGT6 only, remove the jumper JP7 and replace it by a multimeter (see [Table 2](#)).

Table 2. Power-supply-related jumper settings

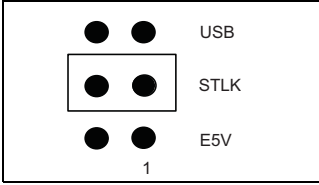
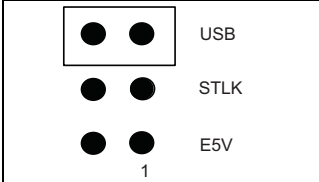
Jumper	Description
JP3	<p>Default Setting 32F412GDISCOVERY is supplied through the Micro-B ST-LINK/V2-1 connector CN6. Jumper in STLK place.</p> 
	<p>32F412GDISCOVERY is supplied through CN3 Micro-AB USB FS connector. Jumper in USB place.</p> 

Table 2. Power-supply-related jumper settings (continued)

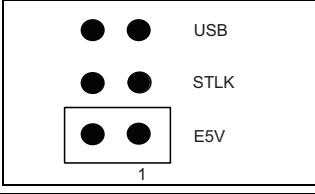
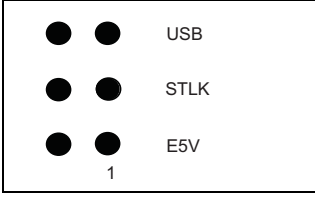
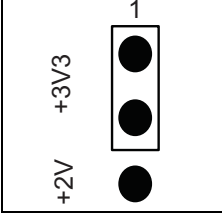
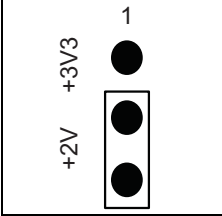
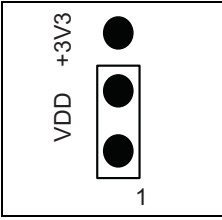
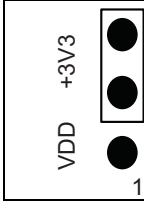
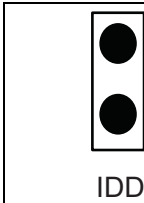
Jumper	Description
JP3	32F412GDISCOVERY is supplied through the VIN pin of the Arduino Uno V3 compatible connector CN2. Jumper in E5V place. 
	32F412GDISCOVERY is supplied by +5 V pin of Arduino Uno V3 compatible connector CN2 (pin 5) or by pins 3 or 4 of the extension connector P2. No jumper in JP3. 
JP5	Default Setting STM32F412ZGT6 is supplied with a +3.3 V voltage (VDD_MCU). 
	STM32F412ZGT6 STM32 is supplied with a +2.0 V voltage (VDD_MCU). 
JP6	Default Setting VDD_USB power pin of STM32F412ZGT6 is supplied with same voltage VDD_MCU as remainder supply pins of STM32. 

Table 2. Power-supply-related jumper settings (continued)

Jumper	Description
JP6	<p>VDD_USB power pin of STM32F412ZGT6 is supplied with a fix voltage of +3V3 independently of the remainder of supply pins of STM32.</p> 
JP7	<p>Default Setting JP7 IDD is closed by default to supply the STM32F412ZGT6 and when removed, it offers the possibility to insert an ammeter to measure the current drawn by the STM32 only.</p> 

6.4 Clock source

6.4.1 HSE clock source

By default the 8 MHz clock source is provided to the STM32F412ZGT6 by the MCO output of the ST-LINK/V2-1 MCU U6. In that case the solder bridge SB20 is closed, resistors R45 and R46 are not soldered, solder bridge SB22 is open. The pins PH0 and PH1 are not available for the extension connector P2.

Alternatively, the discovery kit offers the possibility to use a crystal to provide the 8 MHz HSE clock source of the STM32F412ZGT6 U7. In that case, PH0 and PH1 are used as OSC_IN and OSC_OUT respectively. The solder bridges SB20, SB22, SB16 must be opened, 0 ohm resistors should be soldered to R45 and R46 and a crystal must be soldered in place X2. Regarding component selection of X2, capacitors C19 and C21 (8.2 pF) are optimized for a crystal NDK NX3225GD 8 MHz EXS00A-CG04874 and they are not fitted. The pins PH0 and PH1 are not available for the extension connector P2.

6.4.2 LSE clock source

By default, the 32.768 kHz crystal X3 is connected to pins PC14-OSC32_IN and PC15-OSC32_OUT of STM32F412ZGT6 for the RTC clock. Solder bridges SB25 and SB23 must be open.

If LSE clock is not used, it is possible to use PC14-OSC32_IN and PC15-OSC32_OUT of STM32F412ZGT6 and to access by the extension connector P2. In that case, solder bridges SB25 and SB23 must be closed and resistors R54, R56 removed.

6.5 Reserved use of solder bridges

The following solder bridges must not be changed otherwise the microcontroller STM32F412ZGT6 U7 or other parts of the discovery kit may be damaged:

- Solder bridges must be left closed: SB34, SB26
- Solder bridges must be left open: SB27, SB35

6.6 Reset source

The reset signal of 32F412GDISCOVERY discovery kit is low active and the reset sources include:

- **Reset button B1**, providing solder bridge SB1 is closed (default setting)
- **Embedded ST-LINK/V2-1**, providing solder bridge SB21 is closed (default setting)
- Arduino Uno V3 compatible connector CN2 pin 3
- Extension connector P1 pin 6

6.7 Boot options

After reset, the STM32F412ZGT6 boots from the following embedded memory locations depending on bits BOOT0 and BOOT1 (see [Table 3](#)):

- User Flash memory (non-protected)
- System Flash memory (protected) for In Circuit Programming
- RAM for debugging

Table 3. Boot options

BOOT0	BOOT1	Boot Memory
0	X	User Flash
1	0	System Flash
1	1	RAM

BOOT0 is set by the input pin BOOT0 of the STM32F412ZGT6. Its level is set by default to 0 by closing the solder bridge SB31 and keeping R69 unfitted. BOOT1 is shared with the GPIO PB2 used as QSPI_CLK and is sampled by the STM32F412ZGT6 only at RESET phase. At start-up, BOOT1 level depends on the resistors R104 and R100. By default R100 and R104 are not fitted on the discovery kit to avoid any influence on the QSPI_CLK signal using same pin as BOOT1.

The application note “*STM32 microcontroller system memory boot mode*” Application note (AN2606) details the bootloader mechanism and configurations.

Boot-related solder bridge and resistor settings are reported in [Table 4](#):

Table 4. Boot-related solder bridge and resistor settings

Resistors, solder bridge		Description
SB31 Closed R69 not fitted BOOT0=0	R100 and R104 not fitted BOOT1=X	Default Setting Microcontroller STM32F412ZGT6 boots from user Flash.
SB31 Open R69 fitted (any value from 0 to 10K) BOOT0=1	R100 not fitted R104 fitted ⁽¹⁾ BOOT1=0	Microcontroller STM32F412ZGT6 boots from system Flash. R104 is a pull-down resistor on PB2 shared between BOOT1 and QSPI_CLK.
	R100 fitted ⁽¹⁾ R104 not fitted BOOT1=1	Microcontroller STM32F412ZGT6 from RAM. R100 is a pull-up resistor on PB2 shared between BOOT1 and QSPI_CLK.

1. To keep Quad-SPI functionality after boot-up phase, the user should select a resistor value of R100 or R104 insuring a weak pull-down or weak pull-up respectively.

6.8 Audio codec

A Cirrus/Wolfson codec WM8994 U15 connected to the I2S3 interface of the microcontroller STM32F412ZGT6 offers possibility to connect a stereo headphone or headset with a mono-analog microphone. A loudspeaker can be connected to the extension connector.

The digital audio output from the microcontroller is handled by the port of the microcontroller PB5 called CODEC_I2S3_SD while the other direction is handled by port PB4 called CODEC_I2S3ext_SD.

The I²C-bus address of WM8994 is 0b0011010.

6.8.1 Stereo headset and headphone jack

A stereo headphone or a stereo headset with analog microphone can be plugged into the 3.5 mm standard jack socket CN9.

The stereo digital audio streamed from pin PB5 of the microcontroller STM32F412ZGT6 is transformed in a stereo analog output by the codec WM8994 and is delivered to the headphone or headset through the pins 6 and 4 of the jack socket CN9.

If a headset is plugged into CN9, the bias of the microphone is driven by the output MICBIAS1 of the codec and the analog audio enters into the codec by the pin IN1LN.

The corresponding digital audio output from the codec is connected to the microcontroller STM32F412ZGT6 by the port PB4.

6.8.2 Loudspeaker output

The 32F412GDISCOVERY discovery kit can deliver a monophonic audio to a loudspeaker connected to pins 36 and 38 of the extension connector P2. It is recommended to use the WM8994 codec loudspeaker outputs SPKOUTRN and SPKOUTRP in linear mode called "class AB". This mode is compatible with 4-ohm to 8-ohm impedance loudspeakers. Use of the switching mode called "class D" requires to use an appropriate filter to maximize rejection of unwanted frequencies and efficiency. To select the mode "class AB" of the codec WM8994, set to 1 the bit 8 of the register 0x23.

6.9 Digital microphones

Two ST-MEMS MP34DT01TR digital microphones U4 and U5 are available on the 32F412GDISCOVERY discovery kit. The two microphones are located at a distance of 21 mm each other. The microphones are connected to the DFSDM of the STM32 by the port PC2 generating the clock and by the port PB1 collecting the PDM interleaved data.

6.10 USB OTG FS

A USB OTG full-speed communication is available at USB Micro-AB receptacle connector CN3.

Limitations: the USB-related operating supply voltage of STM32L412ZGT6 (VDD_USB line) must be within the range from 3.0 V to 3.6 V. Therefore, in case the STM32F412ZGT6 is supplied with 2 V by JP5 set in +2 V position, the USB of the STM32 works only if the VDD_USB power pin is supplied independently by +3.3V. This is done by closing pins 2 and 3 of the jumper JP6 (refer to [Table 2: Power-supply-related jumper settings](#)).

6.10.1 32F412GDISCOVERY is USB device

When the 32F412GDISCOVERY is USB device, the discovery kit is powered by the 5 V of the CN3 USB OTG FS Micro-AB connector. In this case a jumper must be put in USB location of jumper JP3 and the green LEDs LD7 VBUS and LD6 PWR light on to confirm the 5 V presence.

6.10.2 32F412GDISCOVERY is USB host

When the 32F412GDISCOVERY is USB host it supplies the 5V for the USB peripheral using one of the following sources:

- ST-LINK/V2-1 USB Micro-B connector CN6, putting a jumper in STLK location of JP3
- An external +5 V source connected to pins 3 or 4 of the extension connector P2, with no jumper in JP3.
- An external +5V source connected to 5 V pin of Arduino Uno V3 connector CN2, with no jumper in JP3.
- An external source between +7 to +11 V connected to VIN pin of Arduino Uno V3 connector CN2, putting a jumper in E5V location of JP3.

The green LED LD6 is lighted to confirm the presence of the +5 V source.

The power switch STMPS2141STR is controlled by the port PG8 of STM32 to deliver the 5 V power to the USB device connected to the USB connector CN3. It is recommended to use PG8 in open drain mode. When PG8 is closed to ground, the power switch is closed, and the green LED LD7 confirms the 5 V to the USB Device.

The red LED LD8 FAULT is lit when an overcurrent occurs.

For more details refer to [Section 6.3: Power supply](#).

6.11 microSD card

microSD cards with a capacity of 4 Gbytes or more can be inserted in the receptacle CN13. The four bits of the SDIO interface including CLK and CMD signals of the STM32F412ZGT6 are used to communicate with the microSD card. The card detection is read by the GPIO PD3: when a microSD card is inserted, the logic level is 0, otherwise it is 1.

Note that port PC9 used as uSD_D1 can be routed also to the pin 46 of the extension connector P2, by closing the solder bridge SB43 for other usage like the alternate function MCO2. Therefore the use of the microSD card is exclusive with MCO2 output.

Limitations: The microSD card is not working when the STM32 is supplied with 2V.

6.12 I²C extension connector

The I2C2 bus is available on the I²C extension connector CN10. I2C2-SDA (port PB9) is available on pin 1 and I2C2-SCL is available on pin 3. Pins 5 and 7 of CN10 are the VDD and GND supplying the microcontroller. I2C2 voltage levels follows also VDD.

6.13 Quad-SPI NOR Flash memory

A 128-Mbit Quad-SPI NOR Flash memory (N25Q128A13EF840E from MICRON) is connected to the Quad-SPI interface of the STM32F412ZGT6 microcontroller.

Note that QSPI_CLK (port PB2) is sampled by the STM32F412ZGT6 at start-up as the BOOT1 bit. If necessary, the user can set the BOOT1 state by fitting one of the resistors R100 or R104. By default R100 and R104 are not fitted. Refer to [Section 6.7: Boot options](#) for more details.

Limitations: The Quad-SPI memory is not working when the STM32 is supplied with 2 V.

6.14 Virtual COM port

The serial interface USART2 is directly available through a USB virtual COM port of the ST-LINK/V2-1. The USB connector is CN6.

6.15 Arduino Uno V3 connectors

CN1, CN2, CN11 and CN12 are female connectors compatible with Arduino Uno V3 standard. Most shields designed for Arduino Uno V3 can fit to the 32F412GDISCOVERY discovery kit.

Caution: The IOs of STM32 microcontroller are 3.3 V compatible instead of 5 V for Arduino Uno V3.

Table 5. Arduino Uno V3 compatible connectors

Left connectors					Right connectors				
CN No.	Pin No.	Pin name	STM32 pin	Function	Function	STM32 pin	Pin name	Pin No.	CN No.
-	-	-	-	-	I2C2_SCL	PB10	D15	10	CN12 Digital
-					I2C2_SDA	PB9	D14	9	
-	-	-	-	-	AVDD	-	AVDD	8	
-	-	-	-	-	Ground	-	GND	7	
CN2 Power	1	-	-	Not connected	SPI1_SCK	PA5	D13	6	
	2	IOREF	-	3.3 V	SPI1_MISO	PA6	D12	5	
	3	NRST	NRST	Reset	TIM3_CH2, SPI1_MOSI	PA7	D11	4	

Table 5. Arduino Uno V3 compatible connectors (continued)

Left connectors					Right connectors				
CN No.	Pin No.	Pin name	STM32 pin	Function	Function	STM32 pin	Pin name	Pin No.	CN No.
CN2 Power	4	+3V3	-	+3.3 V input/output (see Note:1)	TIM2_CH1, SPI1_NSS	PA15	D10	3	CN12 Digital
	5	+5 V	-	+5 V input/output (see Note:4)	TIM4_CH3	PB8	D9	2	
	6	GND	-	Ground	-	PG10	D8	1	
	7	GND	-	Ground	-	-	-	-	
	8	VIN	-	+6V to +9V power input (see Note:2)	-	PG11	D7	8	CN11 Digital
-	-	-	-	-	TIM5_CH1	PF3	D6	7	
CN1 Analog	1	A0	PA1	ADC1_IN1	TIM5_CH4	PF10	D5	6	
	2	A1	PC1	ADC1_IN11	-	PG12	D4	5	
	3	A2	PC3	ADC1_IN13	TIM5_CH2	PF4	D3	4	
	4	A3	PC4	ADC1_IN14	-	PG13	D2	3	
	5	A4	PC5 or PB9 (see Note:3)	ADC1_IN15 or I2C2_SDA (see Note:3)	USART6_TX	PG14	D1	2	
	6	A5	PB0 or PB10 (see Note:3)	ADC1_IN8 or I2C2_SCL (see Note:3)	USART6_RX	PG9	D0	1	

Note:1 Important, before using pin 4 of CN2 as +3.3V input, insure that the solder bridge SB4 is removed. Otherwise the 32F412GDISCOVERY discovery kit could be damaged by the overcurrent.

Note:2 The external voltage applied to pin VIN should be in the range 6 to 9V at 25°C ambient temperature. If a higher voltage is applied, the regulator U3 may overheat and could be damaged.

Note:3 By default pin 5 and pin 6 of connector CN1 are connected respectively to the port PC5 (ADC1_IN15) and BP0 (ADC1_IN8) of the STM32. They are enabled by the default configuration of the solder bridges: SB8 and SB6 closed, SB7 and SB5 opened. In case it is necessary to have an I2C interface instead of ADC inputs on pins 5 and 6 of CN1, open SB8 and SB6, and close SB7 and SB5.

Note:4 Important, before using pin 4 of CN2 as +5 V input, insure the jumpers and solder bridges are configured according to 5 V DC power input defined in [Section 6.3.1: Power supply sources](#). Otherwise the 32F412GDISCOVERY discovery kit could be damaged by the overcurrent.

6.16 Extension connectors P1 and P2

The extension connectors consist in male pin headers P1 and P2 (not soldered by default). They provide access to the following IPs of the STM32F412ZGT6:

- SPI
- I²C with SMBA and FM+ (1 MHz speed)
- Full USART (Rx, Tx, RTS, CTS)
- CAN
- ADC inputs
- TIMERS channels
- I²S full duplex with SD and extSD alternate functions.
- DFSDM input for stereo PDM digital microphones

Most of the ports connected to the extension connectors P1 and P2 are the same for the 32F401CDISCOVERY and 32F411EDISCOVERY discovery kits, to maximize the compatibility with the previous designs. In [Table 6](#), [Table 7](#) and in the 32F412GDISCOVERY schematics (see [Section Appendix A: Schematics](#)), the pin numbers corresponding to these ports, are annotated with the star symbol: “*”.

In [Table 6](#), [Table 7](#) and in the 32F412GDISCOVERY schematics (see [Section Appendix A: Schematics](#)) the pins belonging to the extension connectors P1 and P2 annotated with a letter, are shared with a peripheral of the 32F412GDISCOVERY (for example, S means that the port PC9 corresponding to pin 46 is also used for microSD, see [Table 7](#)).

Table 6. Pin assignment for the extension connector P1

P1 odd pins			P1 even pins		
Pin No.	Name	Note	Pin No.	Name	Note
1	GND	*	2	GND	*
3	VDD_MCU	*	4	VDD_MCU	*
5	GND	*	6	NRST	*
7	PC1	*A	8	PC0	*
9	PC3	*A	10	PC2	*D
11	PA1	*A	12	-	-
13	PA3	*V	14	PA2	*V
15	PA5	*A	16	PA4	*C
17	PA7	*A	18	PA6	*A
19	PC5	*A	20	PC4	*A
21	PB1	*D	22	PB0	*A
23	GND	*	24	PF2	-
25	PF3	A	26	-	-
27	PF10	A	28	PF11	-
29	-	-	30	PF13	-
31	PG2	C	32	-	-

Table 6. Pin assignment for the extension connector P1 (continued)

P1 odd pins			P1 even pins		
Pin No.	Name	Note	Pin No.	Name	Note
33	PG9	A	34	PB10	*A
35	PB11	*D	36	PB12	*C
37	PB13	*	38	PB14	*
39	PB15	*	40	-	-
41	-	-	42	-	-
43	-	-	44	PD12	*
45	PD13	*	46	-	-
47	-	-	48	-	-
49	GND	*	50	GND	*

Table 7. Pin assignment for the extension connector P2

P2 odd pins			P2 even pins		
Pin No.	Name	Note	Pin No.	Name	Note
1	GND	*	2	GND	*
3	+5V	*	4	+5V	*
5	+3V3	*	6	+3V3	*
7	PH0	*	8	PH1	*
9	PC14	*	10	PC15	*
11	PE6	*	12	PC13	*
13	PE4	*	14	PE5	*
15	PE2	*	16	PE3	*
17	PE0	*	18	PE1	*
19	PB8	*A	20	PB9	*A
21	BOOT0	*	22	VDD_MCU	*
23	PB6	*TC	24	PB7	*TC
25	PB4	*C	26	PB5	*C
27	-	-	28	PB3	*
29	-	-	30	PD6	*
31	PG10	A	32	PG11	A
33	PG12	A	34	PG13	A
35	PG14	A	36	SPKOUTRN	-
37	-	-	38	SPKOUTRP	-
39	PA14	*	40	PA15	*A

Table 7. Pin assignment for the extension connector P2 (continued)

P2 odd pins			P2 even pins		
Pin No.	Name	Note	Pin No.	Name	Note
41	PA10	*	42	PA13	*
43	PA8	*D	44	-	-
45	-	-	46	PC9	*S
47	PC6	*	48	PC7	*C
49	GND	*	50	GND	*

Note:1 The star symbol “” means pin compatible with 32F401CDISCOVERY and 32F411EDISCOVERY discovery kits.*

Note:2 Meaning of the letters: “A”: shared with Arduino Uno V3 connectors, C: shared with codec, D: shared with digital microphones, V: shared with virtual COM port, T: shared with capacitive touch panel, S: shared with microSD.

6.17 LCD display, backlight and touch panel

6.17.1 LCD display

The display is a 1.54-inch, 240x240 pixels TFT color LCD with capacitive touch panel. It displays up to 262 K colors. The LCD parallel interface is connected to the FMC of the STM32F412ZGT6 by the connector CN15 (see [Table 8](#)).

To enable the data bus of the LCD display in 16-bit mode, the solder bridges SB41 and SB42 are opened and closed respectively by default. In this way the IM signal of the LCD is set to high. To use the LCD in 8-bit mode, SB41 must be closed and SB42 opened.

The selection of the LCD is performed by FMC_NE1 (PD7), write-enable signal is FMC_NWE (PD5) and read-enable is FMC_NOE (PD4). The address bit A0 of the FMC (Flexible Static Memory Controller) is used to select data/command access to the LCD.

The port PG4 should be used as an input of the microcontroller connected to the LCD signal TE (Tearing Effect). To avoid visible artifacts on the display, TE signal is used to synchronize the refresh of the LCD memory done by the microcontroller with the LCD scan.

The port PD11 of the STM32F412ZGT6 controls the reset of the LCD display LCD_RESET.

Table 8. Pin assignment for connector CN15

CN15 pin	Signal name	Description	STM32 pin involved
1	GND	Ground	GND
2	LCD_TE	Tearing Effect output pin to send an interrupt to STM32	PG4
3	D15	Data connected to FMC	PD10
4	D14	Data connected to FMC	PD9
5	D13	Data connected to FMC	PD8

Table 8. Pin assignment for connector CN15 (continued)

CN15 pin	Signal name	Description	STM32 pin involved
6	D12	Data connected to FMC	PE15
7	D11	Data connected to FMC	PE14
8	D10	Data connected to FMC	PE13
9	D9	Data connected to FMC	PE12
10	D8	Data connected to FMC	PE11
11	D7	Data connected to FMC	PE10
12	D6	Data connected to FMC	PE9
13	D5	Data connected to FMC	PE8
14	D4	Data connected to FMC	PE7
15	D3	Data connected to FMC	PD1
16	D2	Data connected to FMC	PD0
17	D1	Data connected to FMC	PD15
18	D0	Data connected to FMC	PD14
19	/RD	Read of LCD connected to FMC_NOE	PD4
20	/WR	Write of LCD connected to FMC_NWE	PD5
21	RS	Data/Command select connected to A0	PF0
22	/CS	Chip Select of LCD connected to FMC_NE1	PD7
23	RESET	LCD RESET	PD11
24	IM	8-bit (low)/16-bit (high) mode selection pin	n/a
25	IOVCC	LCD I/Os power supply connected to VDD	n/a
26	VCI	Power supply connected to +3.3V	n/a
27	GND	Ground	GND
28	LEDA	Anode of backlight LED	n/a
29	LEDK	Cathode of backlight LED	n/a

6.17.2 LCD signal access (CN7)

CN7 is the footprint of a dual-row, through-hole, 26-pin header with 2.54 mm pitch. The header CN7 gives an easy access to the FMC signals of the LCD (see [Table 9](#)).

Table 9. Pin assignment for connector CN7

CN7 odd pins	Signal name	CN7 even pins	Signal name
1	A0	2	LCD_BLCTRL
3	FMC_NWE	4	GND
5	FMC_NE1	6	FMC_NOE
7	D0	8	D1

Table 9. Pin assignment for connector CN7 (continued)

CN7 odd pins	Signal name	CN7 even pins	Signal name
9	D2	10	+3.3V
11	D3	12	VDD
13	LCD_TE	14	LCD_RESET
15	D4	16	D5
17	D6	18	D7
19	D8	20	D9
21	D10	22	D11
23	D12	24	D13
25	D14	26	D15

6.17.3 Backlight

LEDK and LEDA signals of the LCD module are the cathode and the anode respectively of the backlight LEDs.

The backlight requires a current source of typically 15 mA capable to deliver a voltage up to 10 V. This function is handled by the backlight-driver circuit STLD40DPUR that is a switching-mode-boost converter, supplied by the +5 V rail of the discovery kit.

The high level on the signal LCD_BLCTRL (PF5) lights the backlight on. It is possible to dim the backlight intensity by applying a low-frequency PWM signal to LCD_BLCTRL (1 to 10 kHz).

6.17.4 Touch panel

The touch panel is a capacitive touch panel using an I²C interface. The 10-pin connector CN14 of the touch panel is located at the bottom side of the discovery kit (see [Figure 5: 32F412GDISCOVERY bottom layout](#)). The I²C SDA line is connected to PB7 and the I²C SCL line is connected to PB6. An interrupt output CTP_INT is connected to port PG5 to be used as an interruption input of the microcontroller. Port PF12 is the reset of the capacitive touch panel.

6.18 Joystick and LEDs

The blue button B2 is a 4-direction joystick with a selection mode when pressed in the center. The logic state is high when one of the five-position switches (Left, Right, Up, Down, Selection) is pressed. The center position is connected to a wake-up pin of the microcontroller PA0. This offers the possibility to wake-up the microcontroller by pressing the center of the joystick.

Four LEDs located near the Arduino Uno V3 connectors CN1 and CN2 are available for the user (refer to the [Figure 4: 32F412GDISCOVERY top layout](#)). From left to right the user finds LD1, LD2, LD3 and LD4 with their colors green, orange, red and blue respectively. To light a LED a low-logic state 0 must be written in the corresponding GPIO.

[Table 10](#) gives the assignment of control ports to the LED indicators.

Table 10. Port assignment to the LED indicators

LED	Controlled by STM32 port	Color
LD1	PE0	Green
LD2	PE1	Orange
LD3	PE2	Red
LD4	PE3	Blue

7 Connectors

7.1 I²C extension connector CN10

Figure 9. I²C extension connector CN10 (front view)

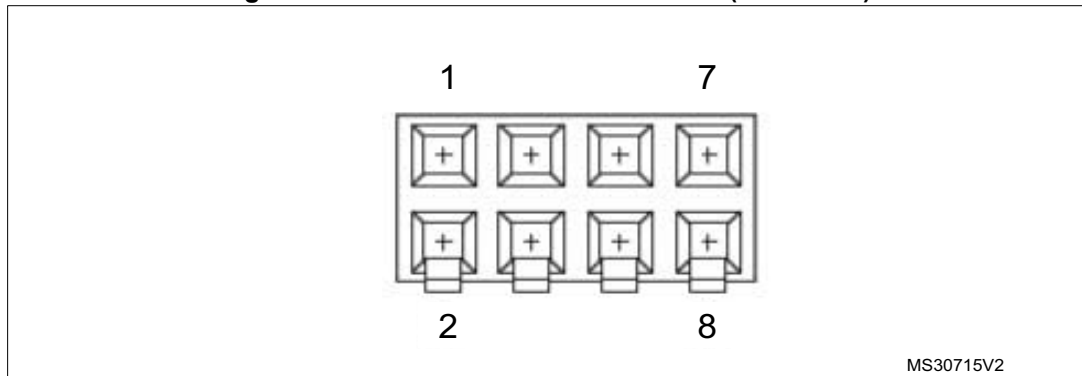


Table 11. I²C extension connector pinout CN10

Pin number	Description	Pin number	Description
1	I2C1_SDA (PB9)	5	VDD
2	NC	6	NC
3	I2C1_SCL (PB10)	7	GND
4	EXT_RESET (PF11)	8	NC

7.2 USB OTG FS Micro-AB connector CN3

Figure 10. USB OTG FS Micro-AB connector CN3 (front view)

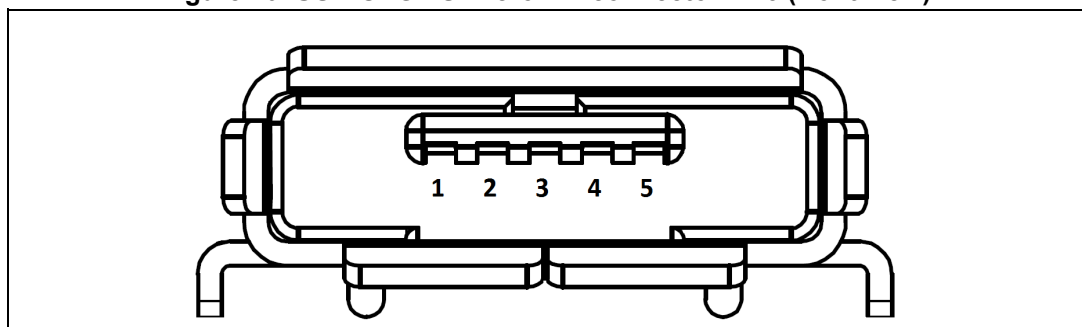


Table 12. USB OTG FS Micro-AB connector CN3

Pin number	Description	Pin number	Description
1	VBUS (PA9)	4	ID (PA10)
2	DM (PA11)	5	GND
3	DP (PA12)	-	-

7.3 microSD connector CN13

Figure 11. microSD connector CN13 (front view)

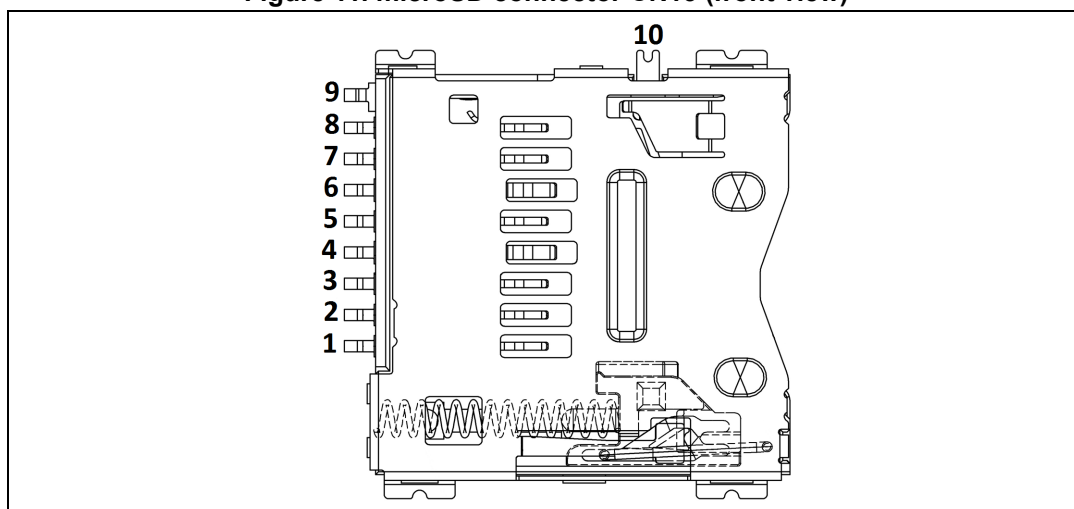


Table 13. microSD connector CN13

Pin number	Description	Pin number	Description
1	SDIO_D2 (PC10)	6	GND
2	SDIO_D3 (PC11)	7	SDIO_D0 (PC8)
3	SDIO_CMD (PD2)	8	SDIO_D1 (PC9)
4	+3.3V	9	GND
5	SDIO_CLK (PC12)	10	MicroSDcard_detect (PD3)

7.4 ST-LINK/V2-1 USB Micro-B connector CN6

Figure 12. USB Micro-B connector CN6 (front view)

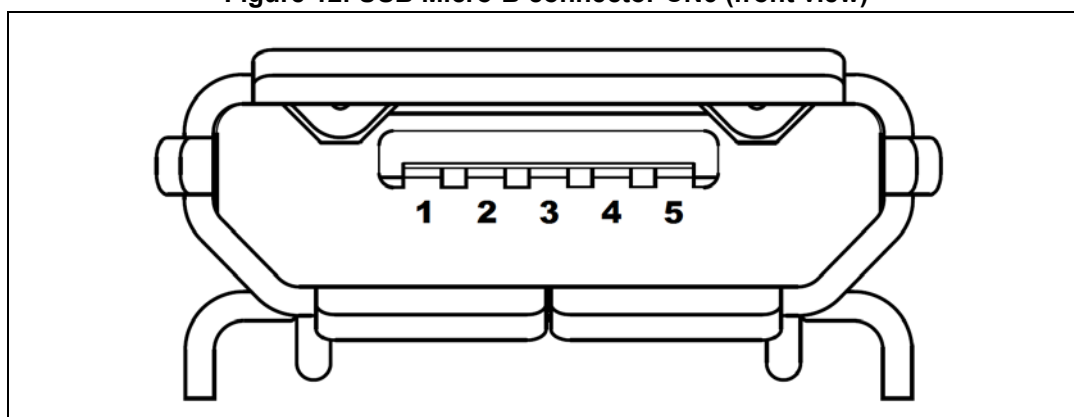


Table 14. USB Micro-B connector CN6

Pin number	Description	Pin number	Description
1	VBUS (power)	4	GND
2	DM	5,6	Shield
3	DP	-	-

Appendix A Schematics

This section provides the design schematics for the 32F412GDISCOVERY discovery kit, to help users to implement these features in application designs.

This section includes:

- Overall schematics for the 32F412GDISCOVERY, see [Figure 13](#)
- STM32 connections, see [Figure 14](#)
- Power supply, see [Figure 15](#)
- LCD, camera and connector, see [Figure 16](#)
- Quad-SPI, see [Figure 17](#)
- Audio amplifier, see [Figure 18](#)
- Peripherals, see [Figure 19](#)
- USB OTG FS, see [Figure 20](#)
- Extension connectors, see [Figure 21](#)
- Arduino Uno V3 connector, see [Figure 22](#)
- ST-LINK/V2-1, see [Figure 23](#)



Figure 13. 32F412GDISCOVERY discovery kit

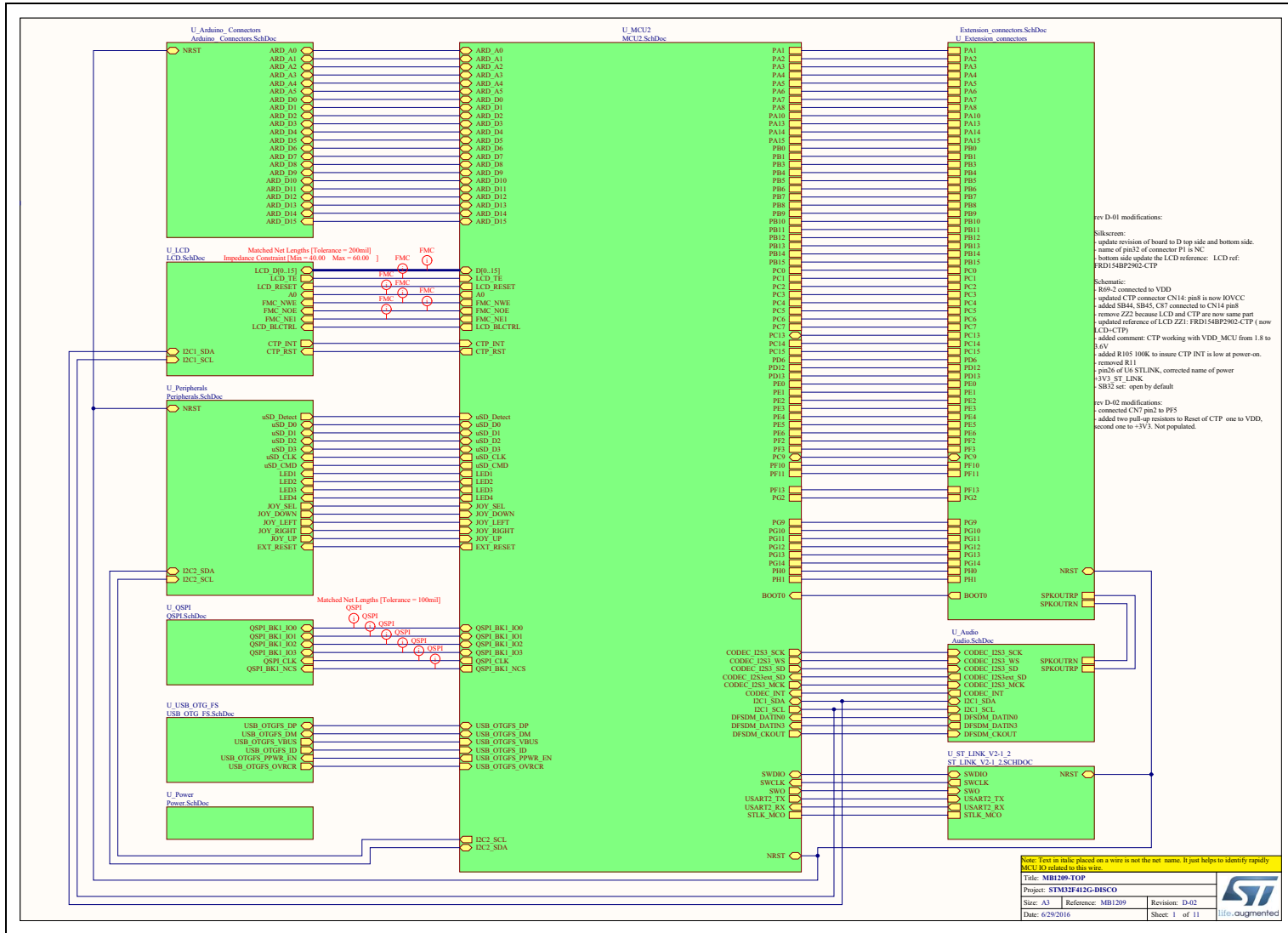
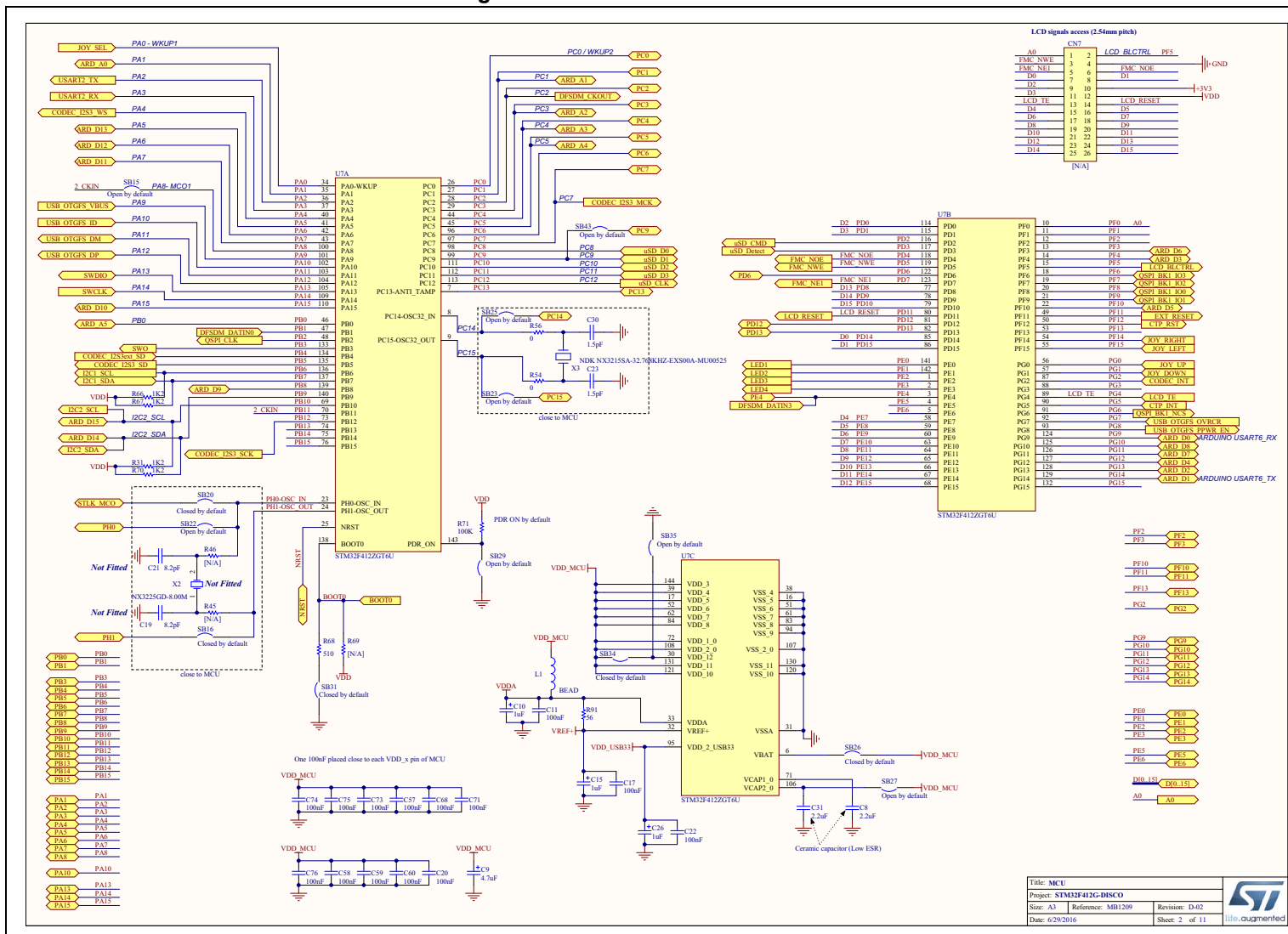


Figure 14. 32F412GDISCOVERY MCU



Title: MCU	Project: STM32F412G-DISCO	Revision: D-02	
Size: A3	Reference: MB1309	Revision: D-02	Sheet 2 of 11
Date: 6/29/2016			file: augmented



Figure 15. 32F412GDISCOVERY Power

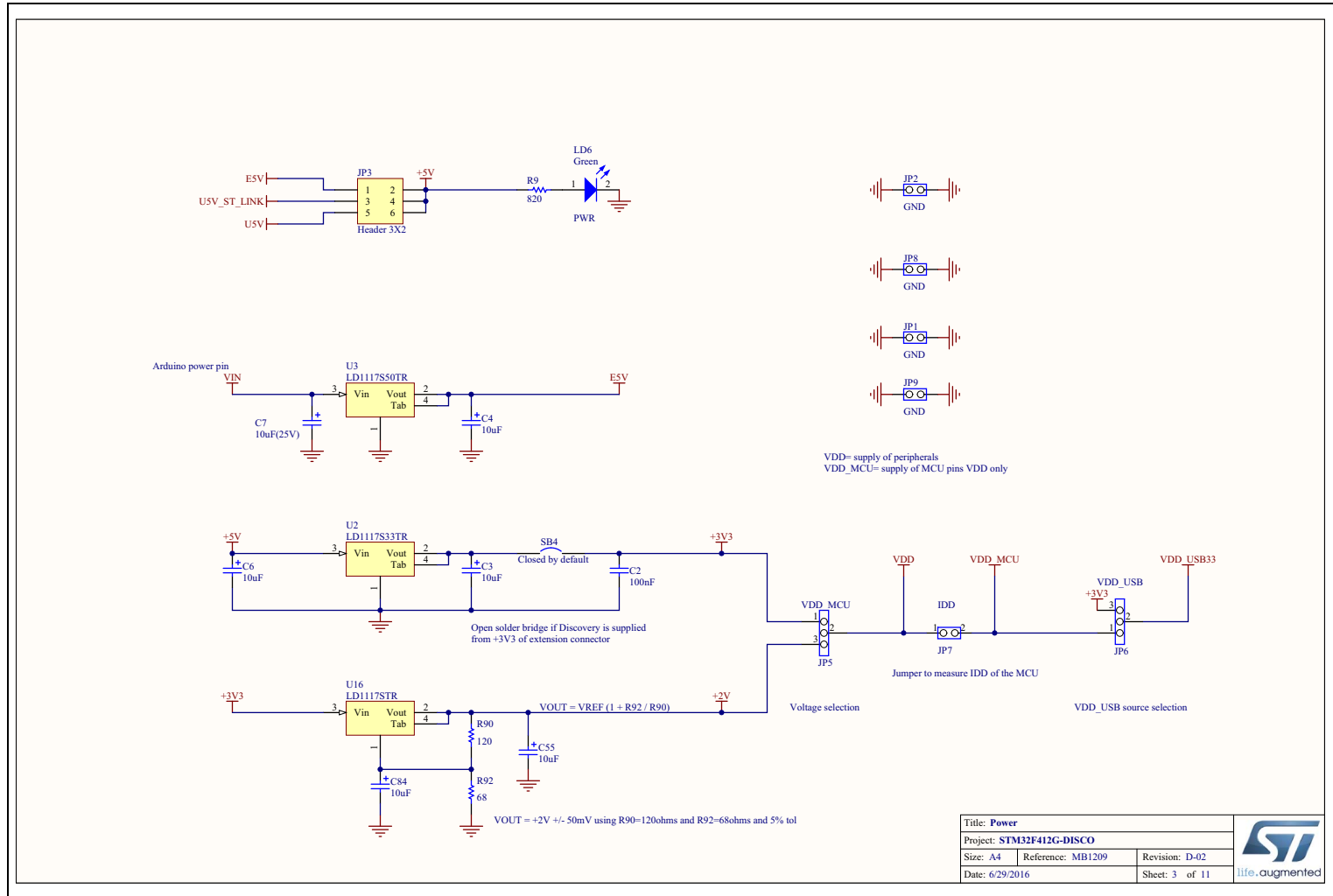


Figure 16. 32F412GDISCOVERY LCD

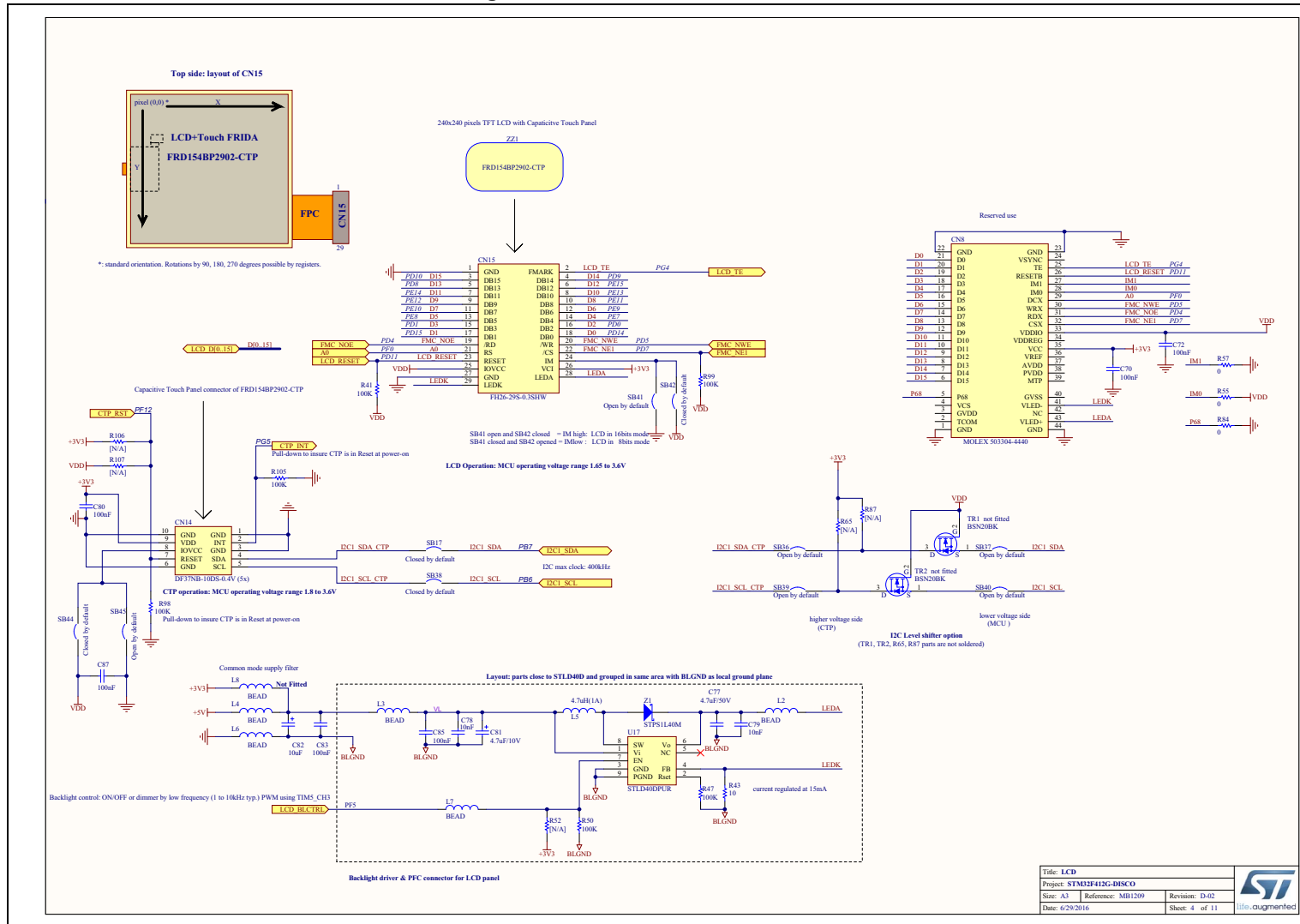




Figure 17. 32F412GDISCOVERY Quad-SPI

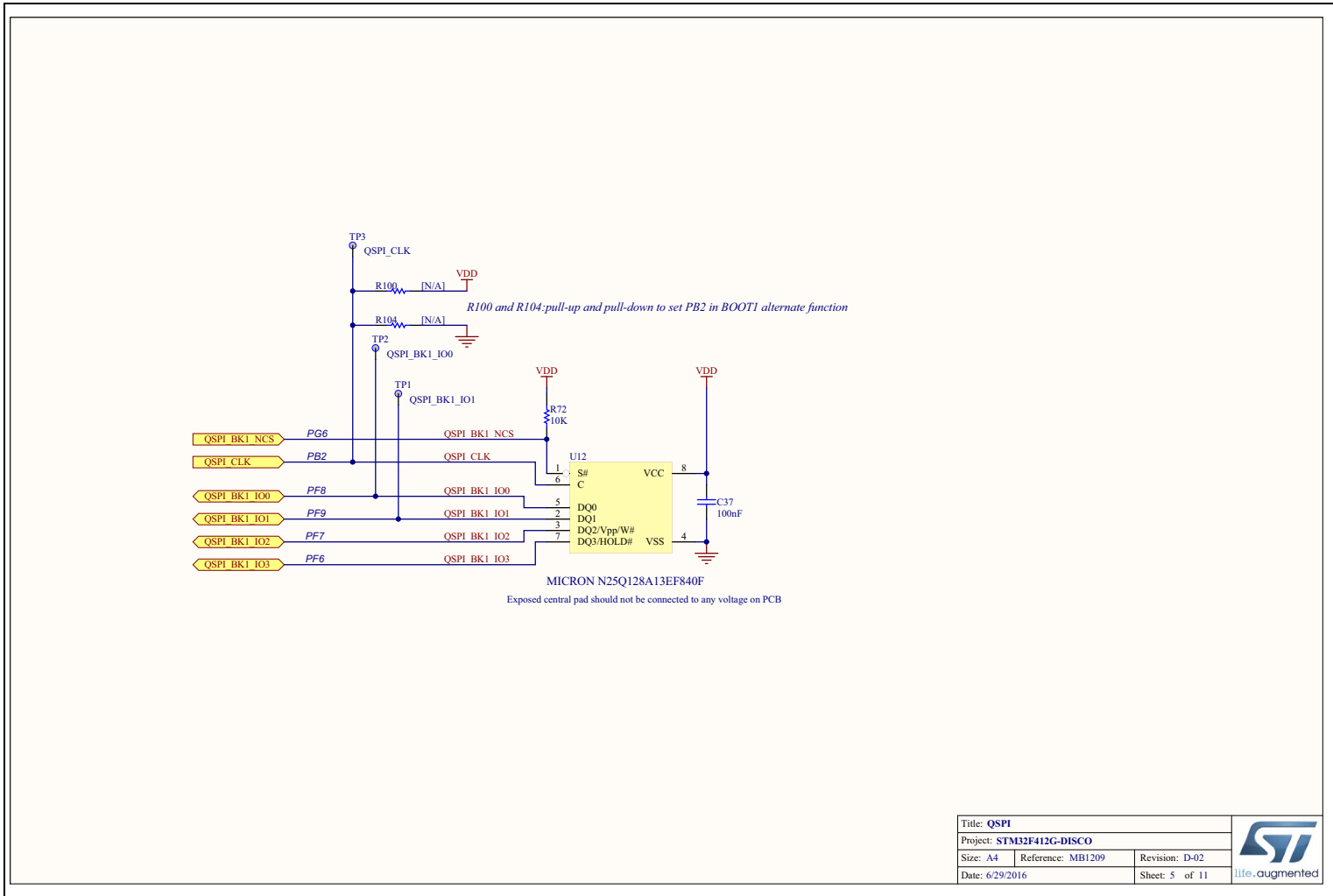
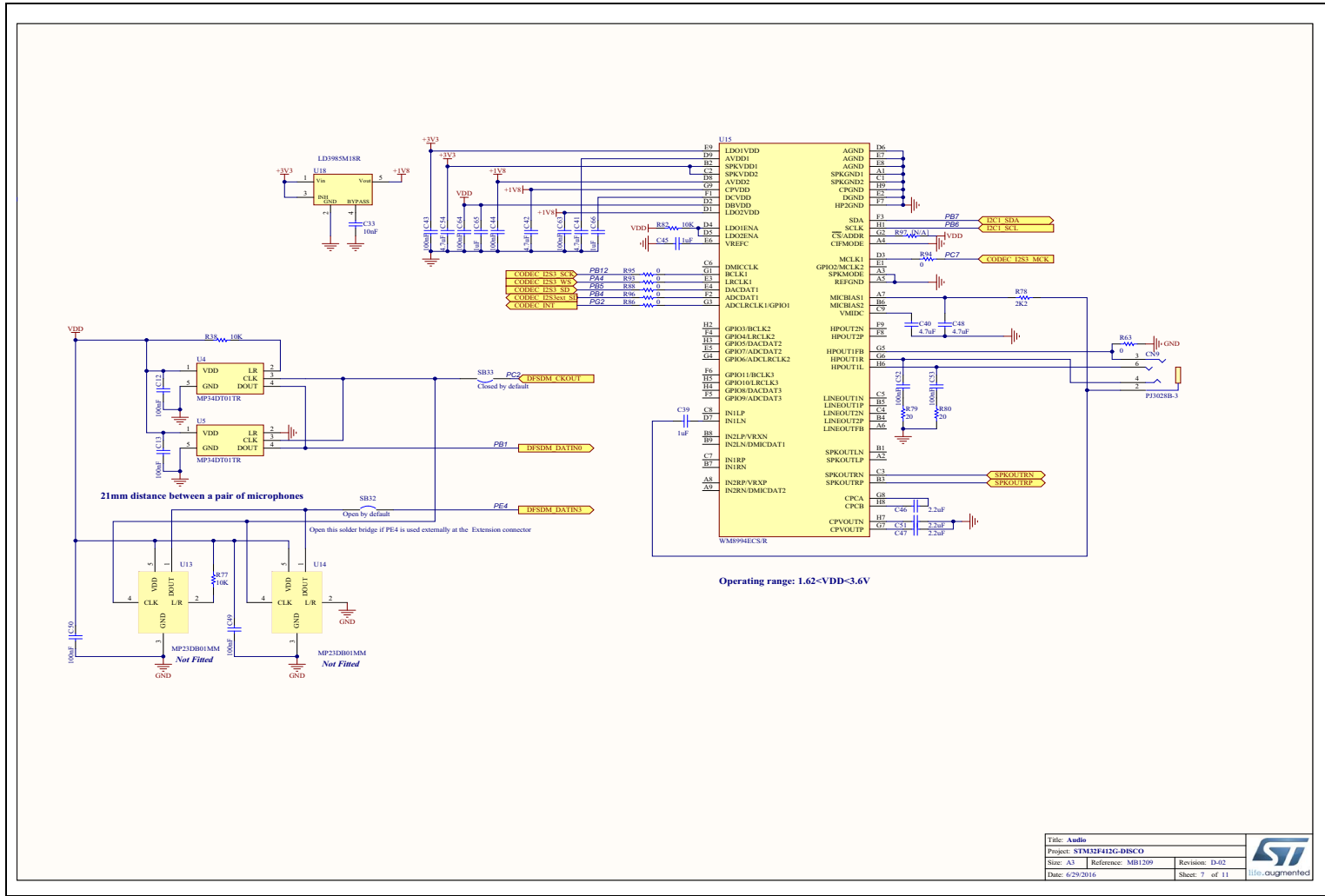


Figure 18. 32F412GDISCOVERY Audio



Title: Audio			
Project: STM32F412G-DISCO			
Size: A3	Reference: MB1209	Revision: D-02	
Date: 6/29/2016	Sheet: 7 of 11		



Figure 19. 32F412GDISCOVERY Peripherals

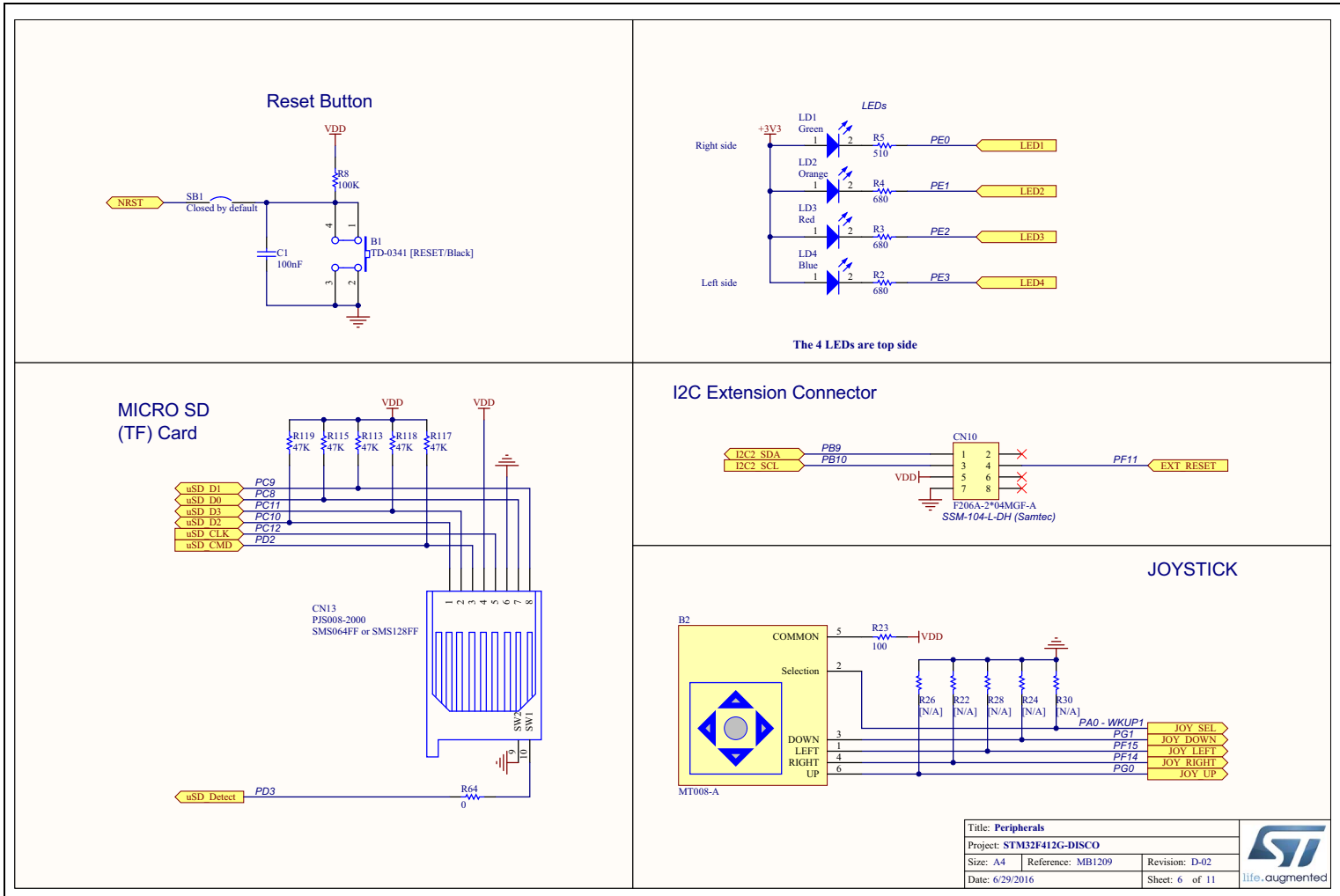
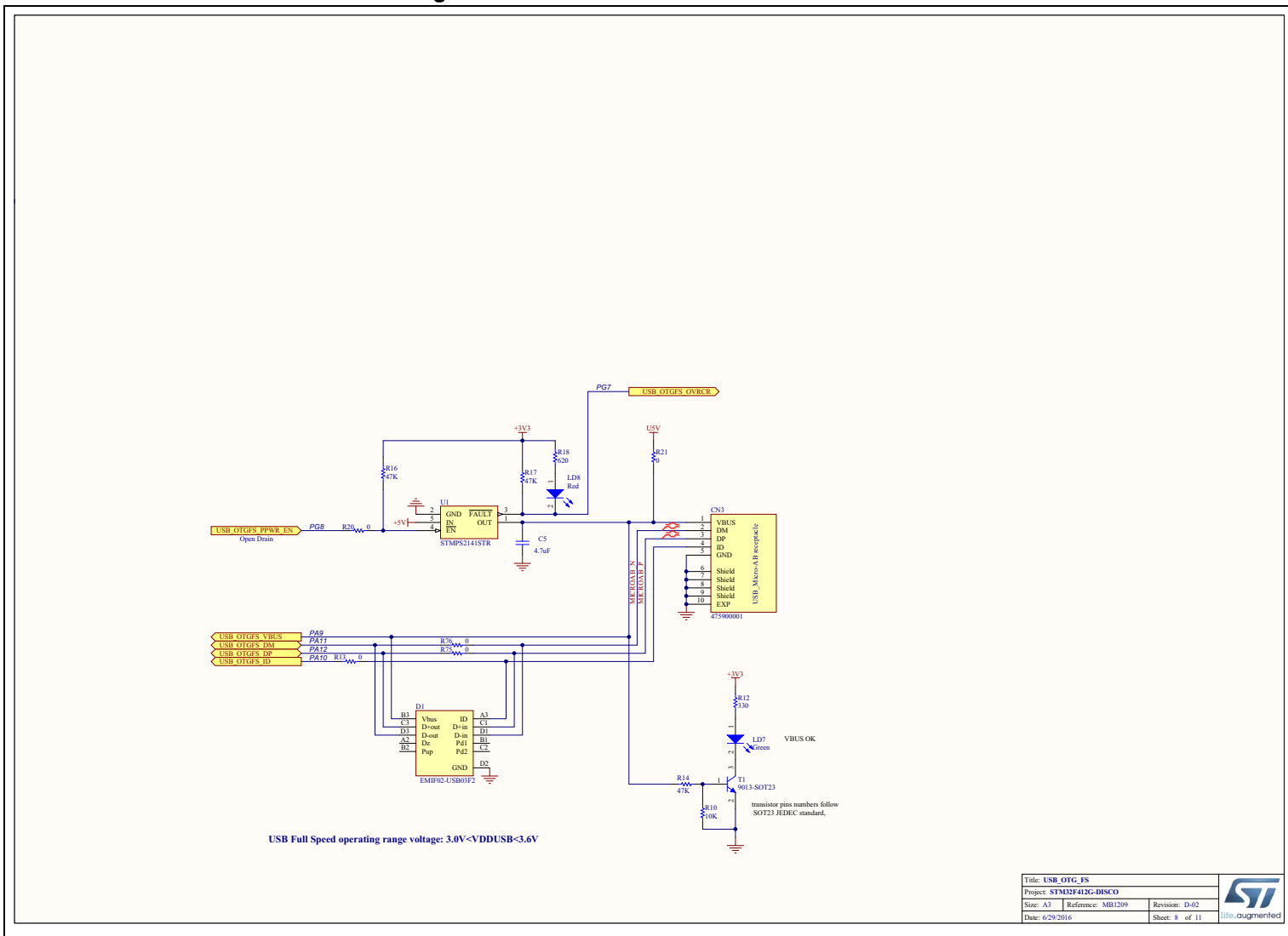


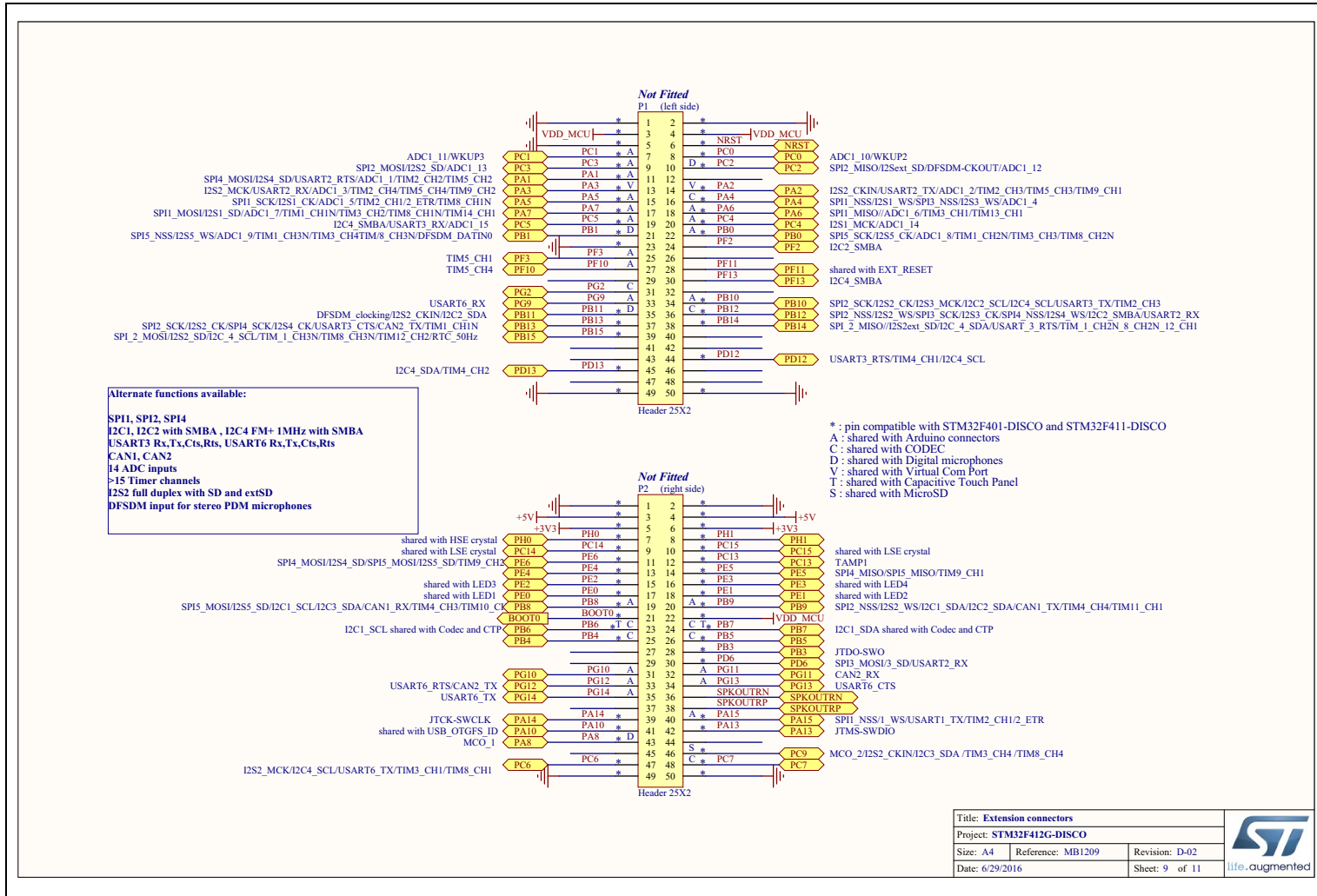
Figure 20. 32F412GDISCOVERY USB OTG FS



Title: USB_OTG_FS		
Project: STM32F412G-DISCO		
Size: A3	Reference: MB1209	Revision: D-02
Date: 6/29/2016		Sheet: 8 of 11



Figure 21. 32F412GDISCOVERY extension connectors



Title: Extension connectors		
Project: STM32F412G-DISCO		
Size: A4	Reference: MB1209	Revision: D-02
Date: 6/29/2016	Sheet: 9 of 11	life.augmented



Figure 22. 32F412GDISCOVERY Arduino Uno V3 connector

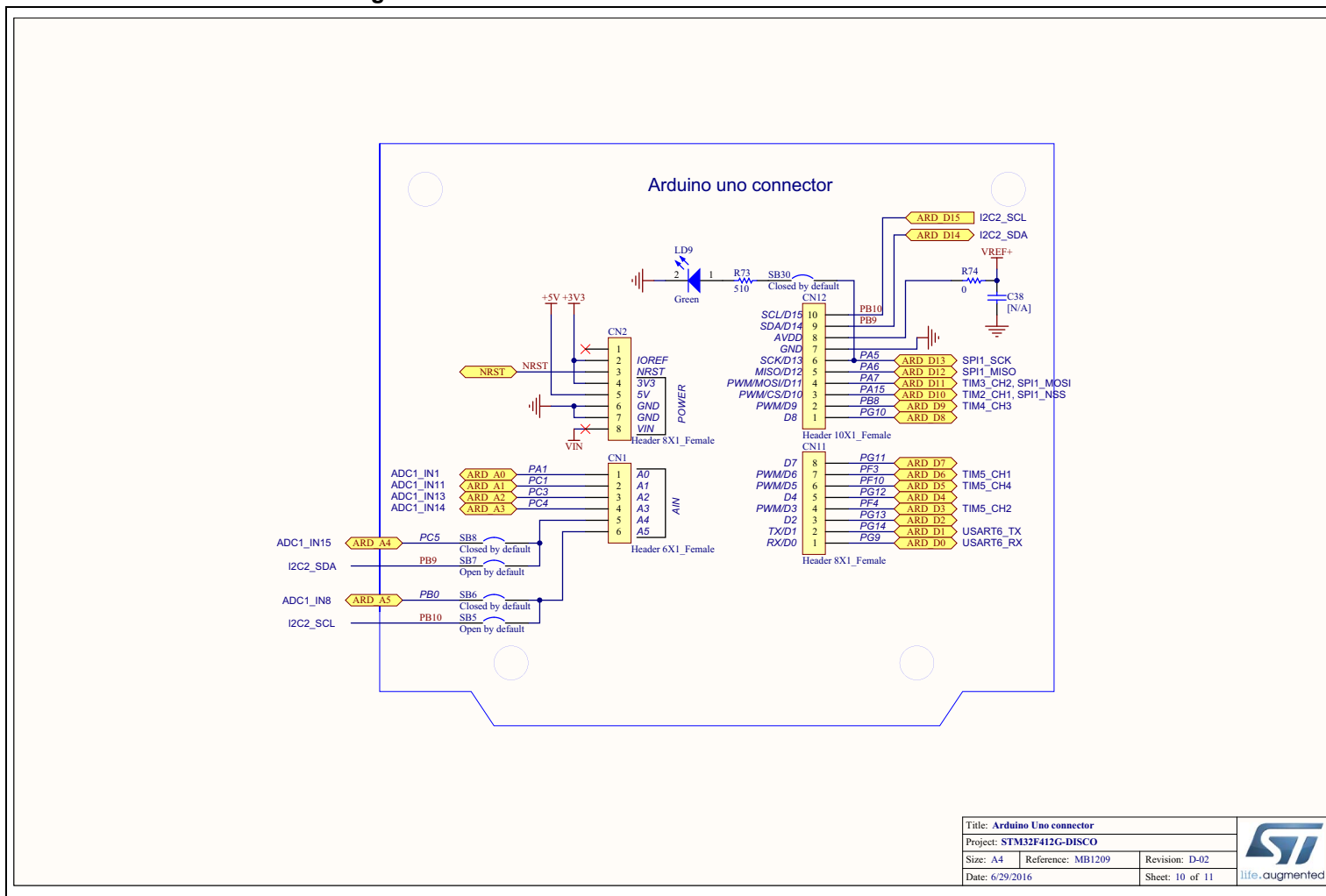
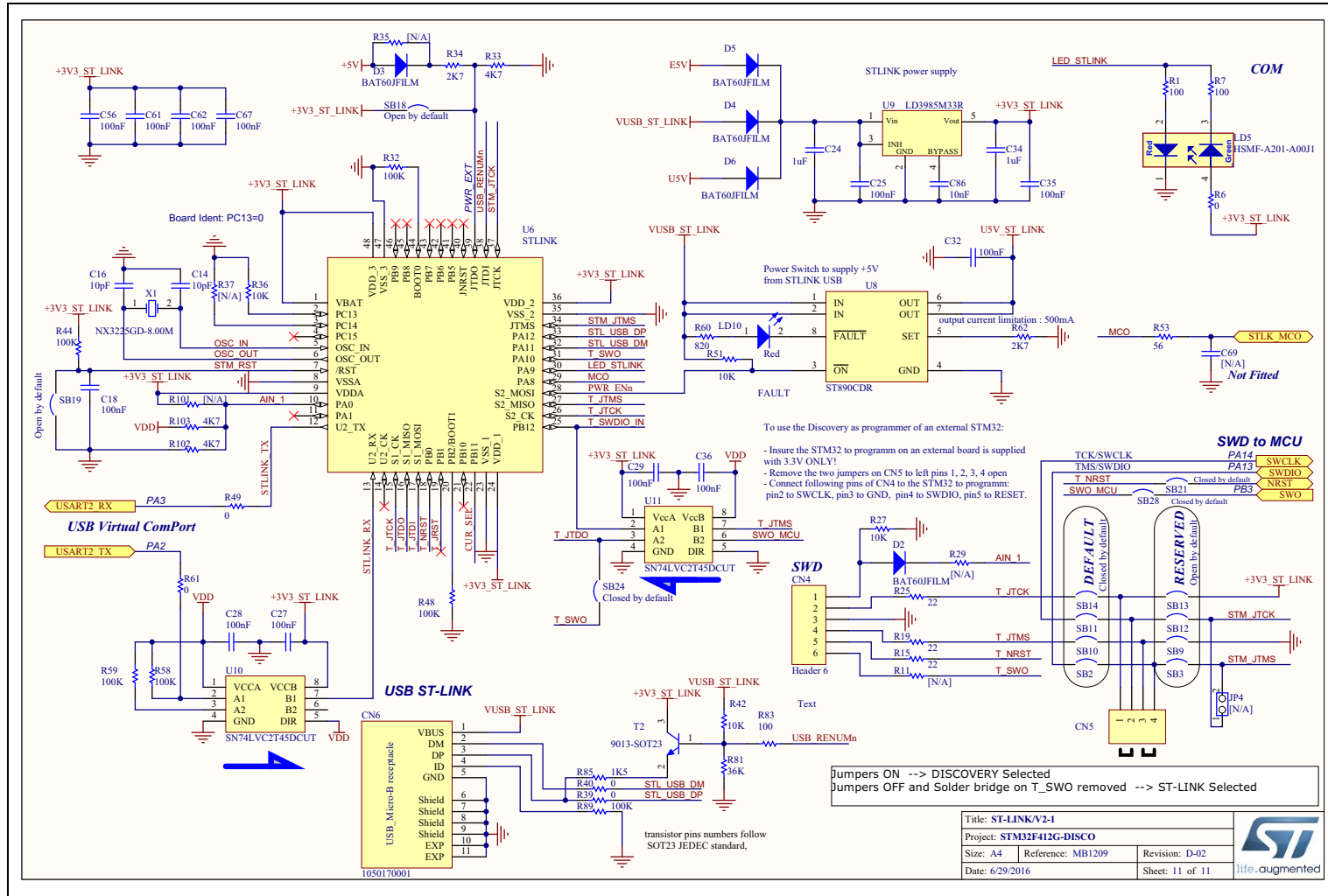


Figure 23. 32F412GDISCOVERY ST-LINK/V2-1



Appendix B Federal Communications Commission (FCC) and Industry Canada (IC) Compliance Statements

B.1 FCC Compliance Statement

B.1.1 Part 15.19

This device complies with Part 15 of the FCC Rules. Operation is subject to the following two conditions: (1) this device may not cause harmful interference, and (2) this device must accept any interference received, including interference that may cause undesired operation.

B.1.2 Part 15.105

This equipment has been tested and found to comply with the limits for a Class A digital device, pursuant to part 15 of the FCC Rules. These limits are designed to provide reasonable protection against harmful interference when the equipment is operated in a commercial environment. This equipment generates, uses, and can radiate radio frequency energy and, if not installed and used in accordance with the instruction manual, may cause harmful interference to radio communications. Operation of this equipment in a residential area is likely to cause harmful interference in which case the user will be required to correct the interference at his own expense.

B.1.3 Part 15.21

Any changes or modifications to this equipment not expressly approved by STMicroelectronics may cause harmful interference and void the user's authority to operate this equipment.

B.2 IC Compliance Statement

B.2.1 Compliance Statement

Industry Canada ICES-003 Compliance Label: CAN ICES-3 (A)/NMB-3(A)

B.2.2 Déclaration de conformité

Étiquette de conformité à la NMB-003 d'Industrie Canada : CAN ICES-3 (A)/NMB-3(A)

Appendix C CISPR32

C.1 Warning

Warning: This device is compliant with Class A of CISPR 32. In a residential environment, this equipment may cause radio interference.

Revision history

Table 15. Document revision history

Date	Revision	Changes
28-Jul-2016	1	Initial version.
08-Nov-2016	2	Added sections: <i>Section Appendix B: Federal Communications Commission (FCC) and Industry Canada (IC) Compliance Statements,</i> <i>Section Appendix C: CISPR32.</i>

IMPORTANT NOTICE – PLEASE READ CAREFULLY

STMicroelectronics NV and its subsidiaries ("ST") reserve the right to make changes, corrections, enhancements, modifications, and improvements to ST products and/or to this document at any time without notice. Purchasers should obtain the latest relevant information on ST products before placing orders. ST products are sold pursuant to ST's terms and conditions of sale in place at the time of order acknowledgement.

Purchasers are solely responsible for the choice, selection, and use of ST products and ST assumes no liability for application assistance or the design of Purchasers' products.

No license, express or implied, to any intellectual property right is granted by ST herein.

Resale of ST products with provisions different from the information set forth herein shall void any warranty granted by ST for such product.

ST and the ST logo are trademarks of ST. All other product or service names are the property of their respective owners.

Information in this document supersedes and replaces information previously supplied in any prior versions of this document.

© 2016 STMicroelectronics – All rights reserved