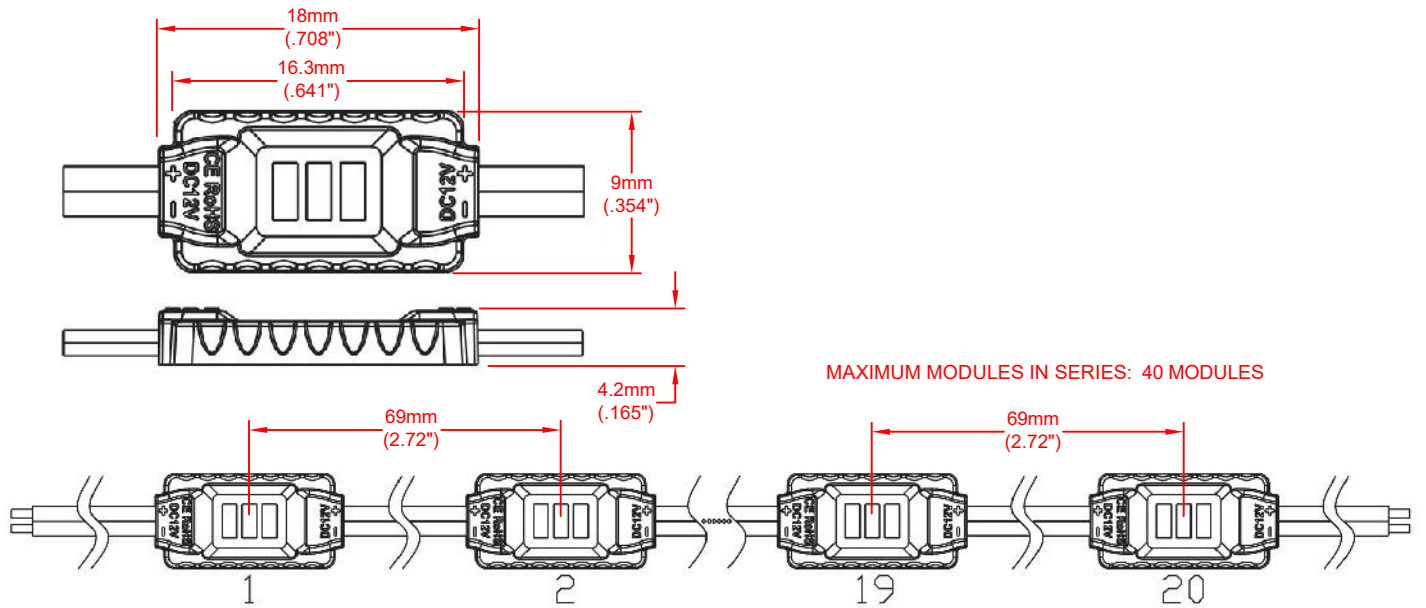


# LOW PROFILE 3-LED MINI MODULE

## FEATURES

- VOLTAGE: 12V DC
- CURRENT: 30mA PER MODULE
- WATTAGE: .36W PER MODULE
- LED VIEWING ANGLE : 120°
- WATER RESISTANCE: IP67
- PACKAGE: 20 PIECES PER STRAND
- MOUNTING: ADHESIVE BACKING



MAXIMUM MODULES IN SERIES: 40 MODULES

24 AWG WIRE

### Absolute Maximum Rating at TA = 25°C

Parameter	Symbol	Absolute Maximum Rating	Unit
Forward Current	IF	30	mA
Power Dissipation	PD	0.36	W
Electrostatic Discharge	ESD	600	V
Operating Temperature	Topr	-25~+50	°C
Storage Temperature	Tstg	-25~+70	°C

### Electrical/Optical Characteristics at TA = 25°C

Parameter	Typical	Unit
Forward Voltage DC	12	VF
Color Temperature	10,000	K
Luminous Flux Per Module	33	lm
Recommend Forward Current	30	mA



OBSERVE PRECAUTION FOR HANDLING ELECTROSTATIC DISCHARGE SENSITIVE DEVICES

JKL PART NO.: ZM-189-CW

<p>THIRD ANGLE PROJECTION</p>	<p>METRIC</p>	<p>DIMENSIONS ARE IN mm &amp; (INCHES)</p> <p>TOLERANCE UNLESS OTHERWISE SPECIFIED</p> <p>1 PL +/- REF.</p> <p>2 PL +/- ANGLE +/-</p>	<p><b>JKL</b> COMPONENTS CORPORATION</p>				
	<p>TITLE</p> <p>LOW PROFILE 3-LED MINI CHANNEL, COOL WHITE</p>			<p>SIZE</p> <p><b>A</b></p>	<p>FSCM NO.</p> <p><b>55335</b></p>	<p>DRAWING NO.</p> <p><b>ZM-189-CW</b></p>	
<p>DRAWN BY</p> <p>L. WENGSTROM</p>	<p>APPV'D BY</p> <p>S.C.</p>	<p>DATE</p> <p>7/30/18</p>	<p>SCALE</p> <p>NONE</p>	<p>RELEASED DATE</p> <p>7/28/18</p>	<p>REVISION DATE</p>	<p>REV. NO.</p>	<p>SHEET</p> <p>1 OF 1</p>
<p>RELEASE</p> <p>7/28/18</p>			<p>- CAD DRAWING -</p> <p>MANUAL REVISIONS NOT PERMITTED</p>				
<p>REV. NO.</p>	<p>DESCRIPTION/ECO NUMBER</p>	<p>APPV'D DATE</p>					